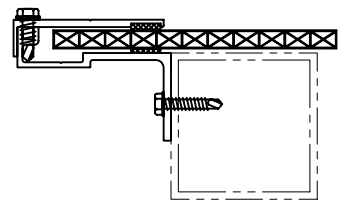
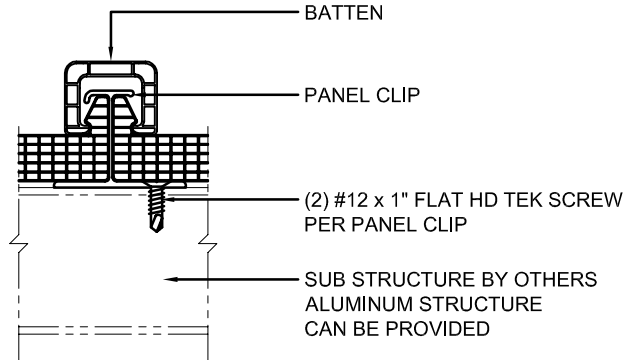
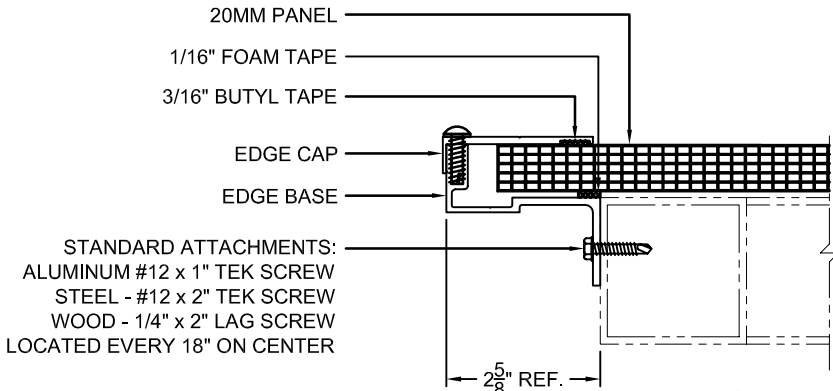
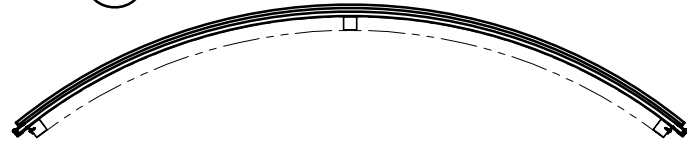


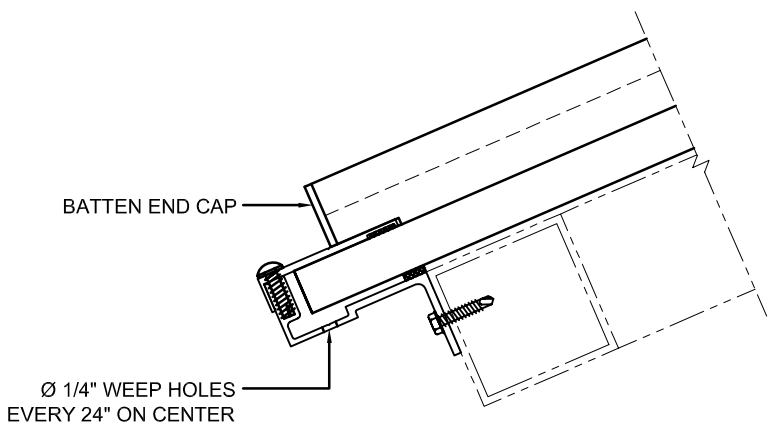
GLAZING THICKNESS OPTIONS  
 8MM  
 20MM (SHOWN)



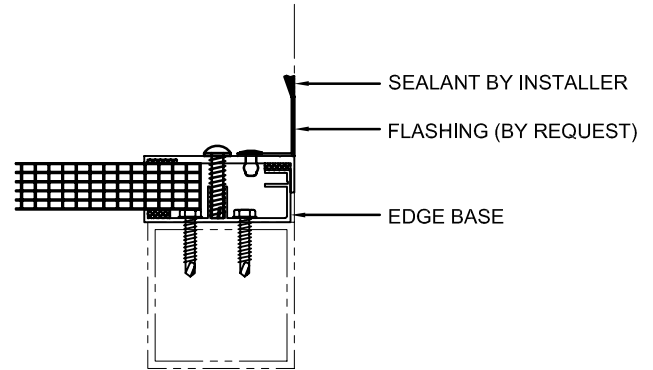
8MM SECTION



A SECTION



B SECTION



C SECTION AGAINST WALL (IF REQ'D.)



Tel (734) 207-9700 Fax (734) 207-7995  
 www.duo-gard.com

THIS DRAWING IS PROPRIETARY AND FOR THE SOLE USE OF OUR CUSTOMER AND MAY NOT BE COPIED OR REPRODUCED WITHOUT PRIOR WRITTEN CONSENT FROM DUO-GARD INDUSTRIES, INC. LEAD TIME BEGINS UPON RECEIPT OF SIGNED SHOP DRAWINGS.

DESCRIPTION  
**SERIES 2500 CURVED BATTEN SYSTEM**

| DWN BY | DRW'G DATE | REVISED | SCALE | PAGE | OF | DRWNG #    |
|--------|------------|---------|-------|------|----|------------|
| BDH    | 4/13/10    |         | NTS   | 1    | 1  | SCCUR-BATN |