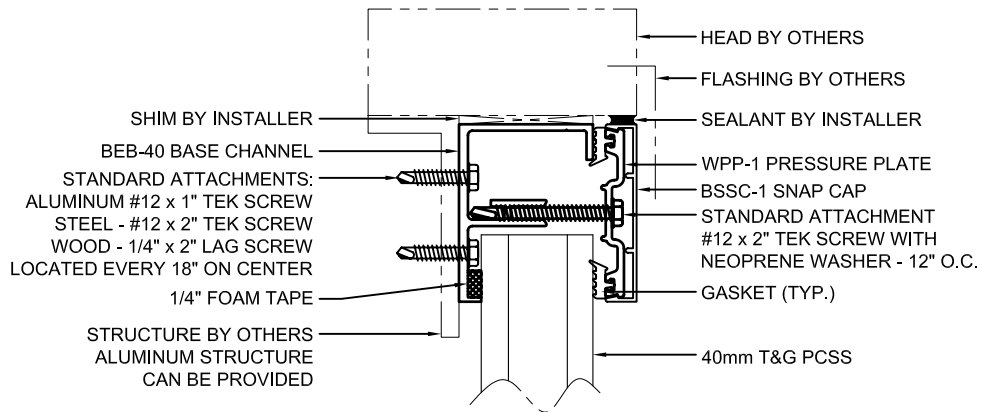
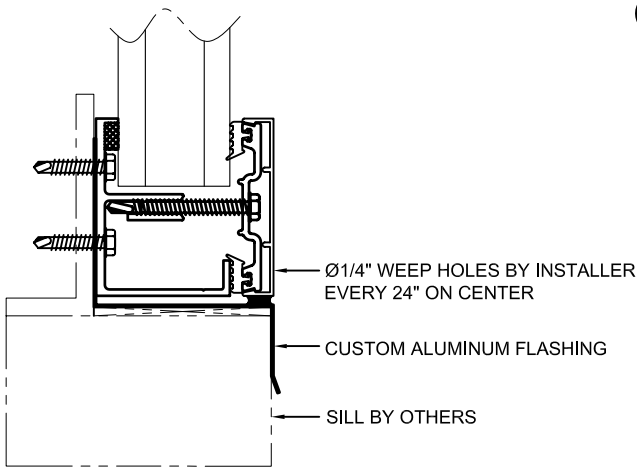


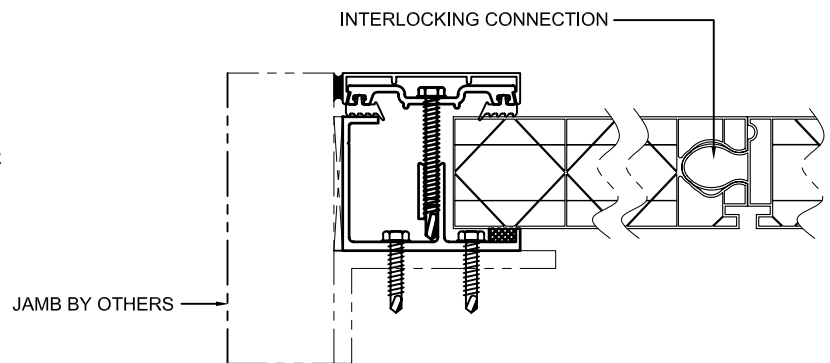
OPTIONAL SYSTEM FOR VERTICAL SPANS GREATER THAN 25 FEET



A SECTION



B SECTION



C SECTION



THIS DRAWING IS PROPRIETARY AND FOR THE SOLE USE OF OUR CUSTOMER AND MAY NOT BE COPIED OR REPRODUCED WITHOUT PRIOR WRITTEN CONSENT FROM DUO-GARD INDUSTRIES, INC. LEAD TIME BEGINS UPON RECEIPT OF SIGNED SHOP DRAWINGS.

DESCRIPTION

SERIES 3000 BPC 40MM VERTICAL TONGUE & GROOVE

DWN BY	DRW'G DATE	REVISED	SCALE	PAGE	OF	DRWNG #
BDH	7/6/10		NTS	1	1	3000-40-TG