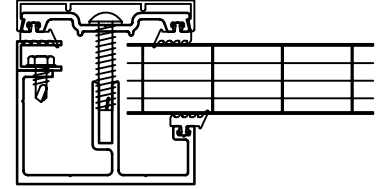


GLAZING THICKNESS OPTIONS

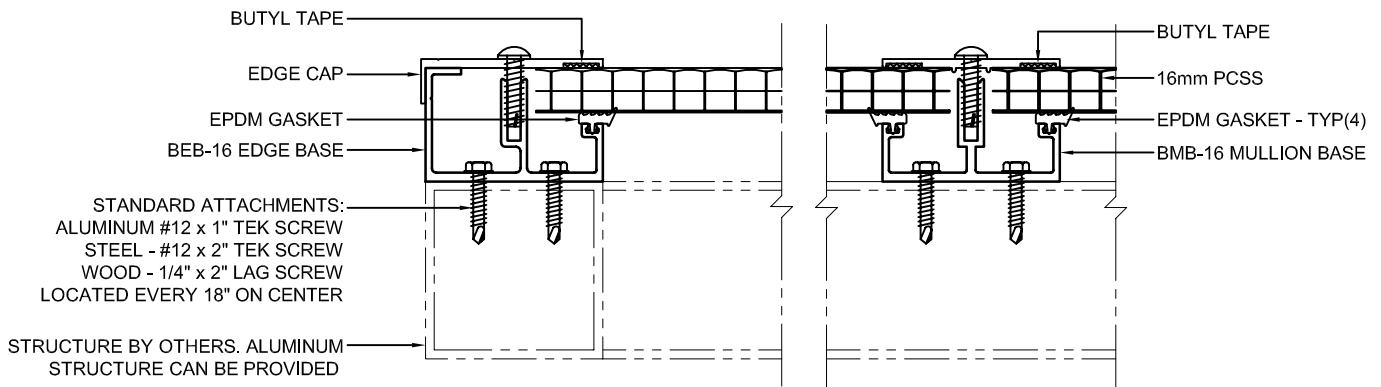
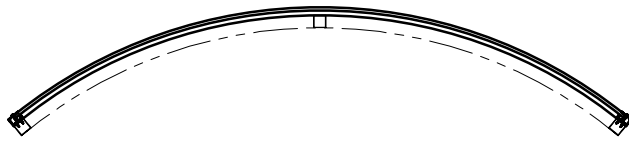
16mm (SHOWN)
25mm

MAXIMUM VERTICAL SPAN (20 PSF)

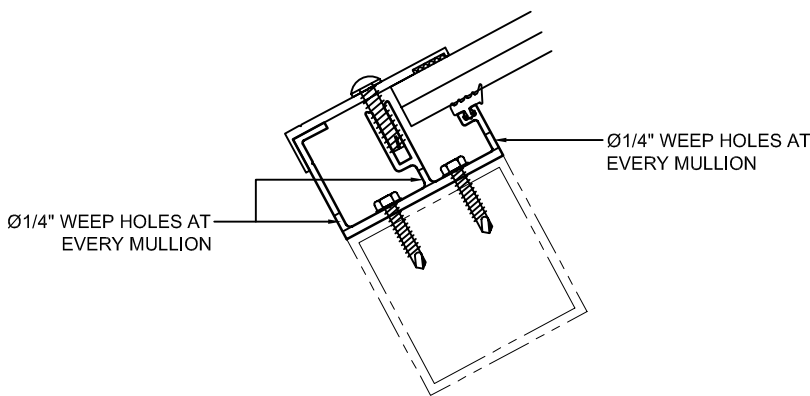
8 FEET



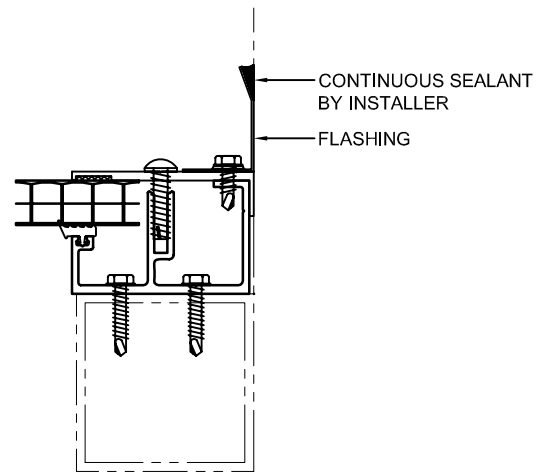
25mm GLAZING



A SECTION



B SECTION



C SECTION



THIS DRAWING IS PROPRIETARY AND FOR THE SOLE USE OF OUR CUSTOMER AND MAY NOT BE COPIED OR REPRODUCED WITHOUT PRIOR WRITTEN CONSENT FROM DUO-GARD INDUSTRIES, INC. LEAD TIME BEGINS UPON RECEIPT OF SIGNED SHOP DRAWINGS.

DESCRIPTION

SERIES 3000 BPC CURVED

DWN BY	DRW'G DATE	REVISED	SCALE	PAGE	OF	DRWNG #
BDH	4/13/10		NTS	1	1	SCCUR-BPC