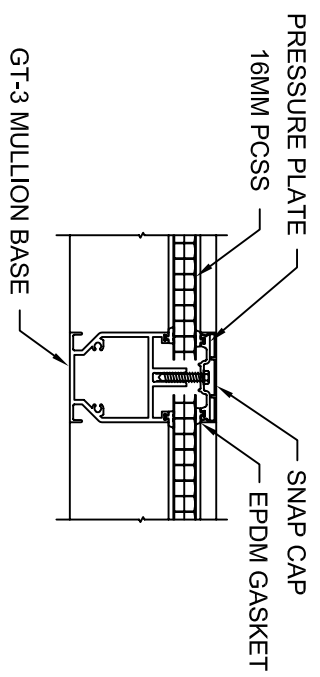
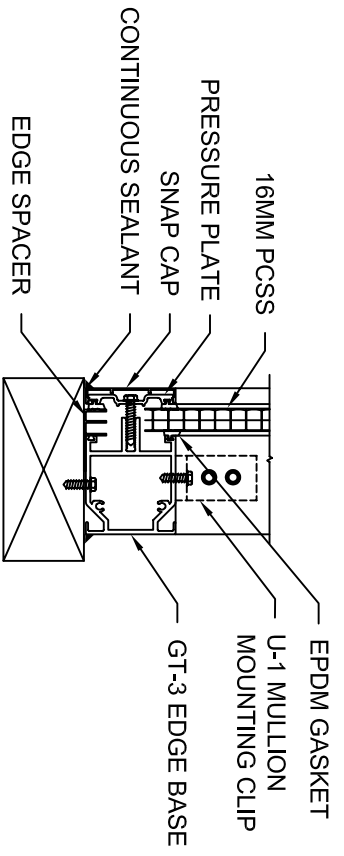


A TYPICAL EDGE SECTION



B TYPICAL MULLION SECTION



C TYPICAL MOUNTING SECTION

GLAZING OPTIONS
 16MM PCSS
 25MM PCSS
 DOUBLE GLAZE: SEE SERIES 3000 DUO-GLAZE

SPAN LIMITATION:
 DESIGNED TO PROJECT REQUIREMENTS



Tel (734) 207-9700 Fax (734) 207-7995
 www.duo-guard.com

THIS DRAWING IS PROPRIETARY AND FOR THE SOLE USE OF OUR CUSTOMER AND MAY NOT BE COPIED OR REPRODUCED WITHOUT PRIOR WRITTEN CONSENT FROM DUO-GARD INDUSTRIES, INC. LEAD TIME BEGINS UPON RECEIPT OF SIGNED SHOP DRAWINGS

Description		DWG DATE		SCALE		PAGE		OF		DRAWING #	
SERIES 3000 BPC GT-3 SYSTEM WITH MULLION		3/26/09		NTS		1		1		3016-GT3	
DWN BY		BDH									