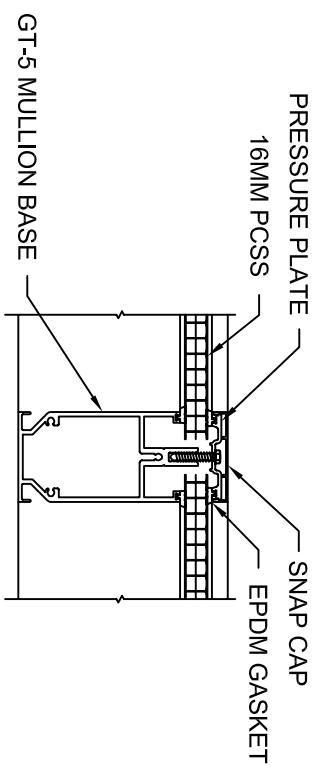
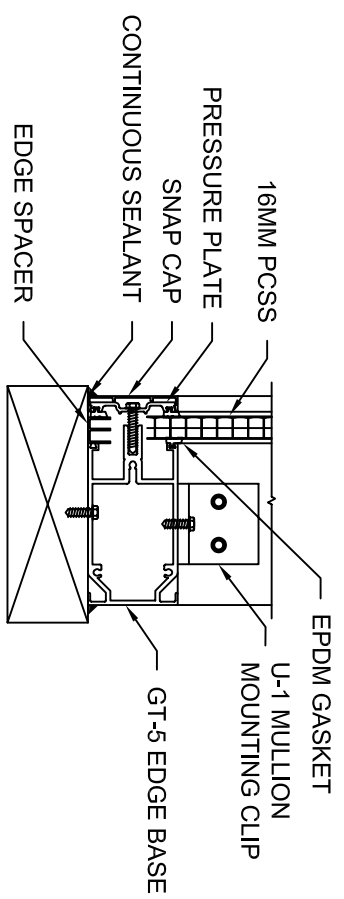


(A) TYPICAL EDGE SECTION



(B) TYPICAL MULLION SECTION



(C) TYPICAL MULLION MOUNTING SECTION

GLAZING OPTIONS
 16MM PCSS
 25MM PCSS
 DOUBLE GLAZE: SEE SERIES 3000 DUO-GLAZE

SPAN LIMITATION:
 DESIGNED TO PROJECT REQUIREMENTS

THIS DRAWING IS PROPRIETARY AND FOR THE SOLE USE OF OUR CUSTOMER AND MAY NOT BE COPIED OR REPRODUCED WITHOUT PRIOR WRITTEN CONSENT FROM DUO-GARD INDUSTRIES, INC. LEAD TIME BEGINS UPON RECEIPT OF SIGNED SHOP DRAWINGS

DESCRIPTION
SERIES 3000 BPC GT-5 SYSTEM WITH MULLION



Tel (734) 207-9700 Fax (734) 207-7995
 www.duo-gard.com

DWG BY BDH	DRWG DATE 3/26/09	SCALE NTS	PAGE 1	OF 1	DRWGING # 3016-GT5
---------------	----------------------	--------------	-----------	---------	-----------------------