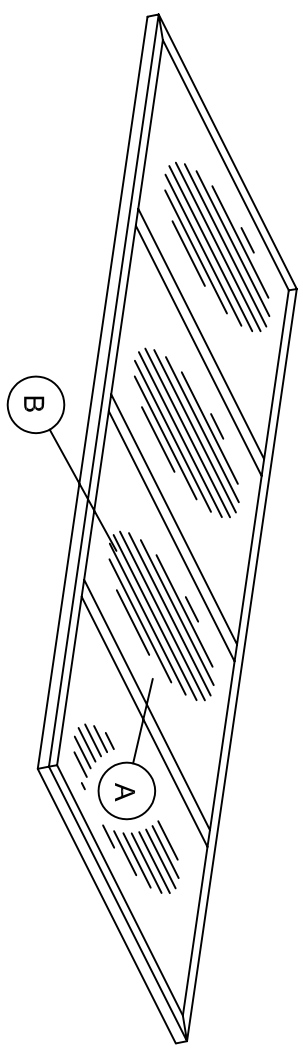


**A** MULLION SECTION

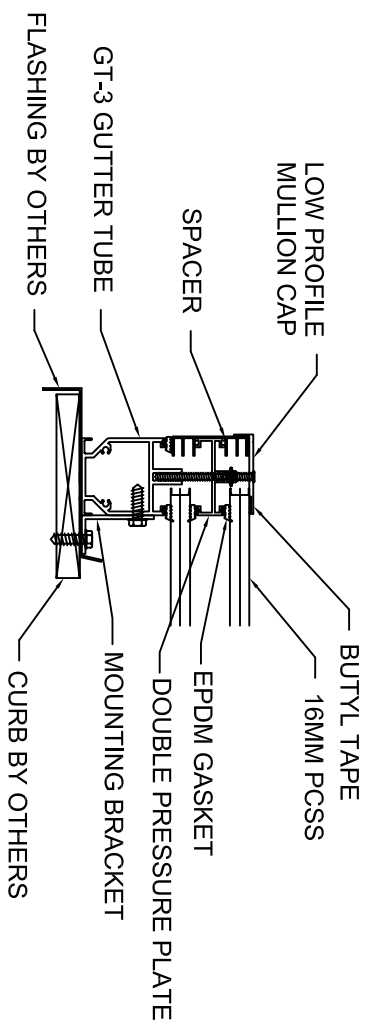


GLAZING THICKNESS OPTIONS

16MM  
25MM  
AVAILABLE IN DOUBLE GLAZE

MAXIMUM SPAN

14 FEET



**B** CURB SECTION

PRODUCT:	SERIES 3000 BPC GT-3 DOUBLE GLAZE SLOPED/FLAT	SCALE:	NO SCALE
MAX. SIZE:		DATE:	3/26/08
ISSUED FOR:	WEBSITE	DWG #	SCFLT-GT3-DG

This drawing is proprietary and for the sole use of our customer and may not be copied or reproduced without prior written consent from Duo-Gard Industries, Incorporated.



Duo-Gard Industries, Inc.  
40442 Koppnick Dr., Canton, MI. 48187  
(734) 207-9700 fax (734) 207-7995  
www.duo-gard.com