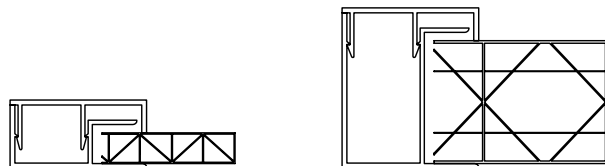


GLAZING THICKNESS OPTIONS

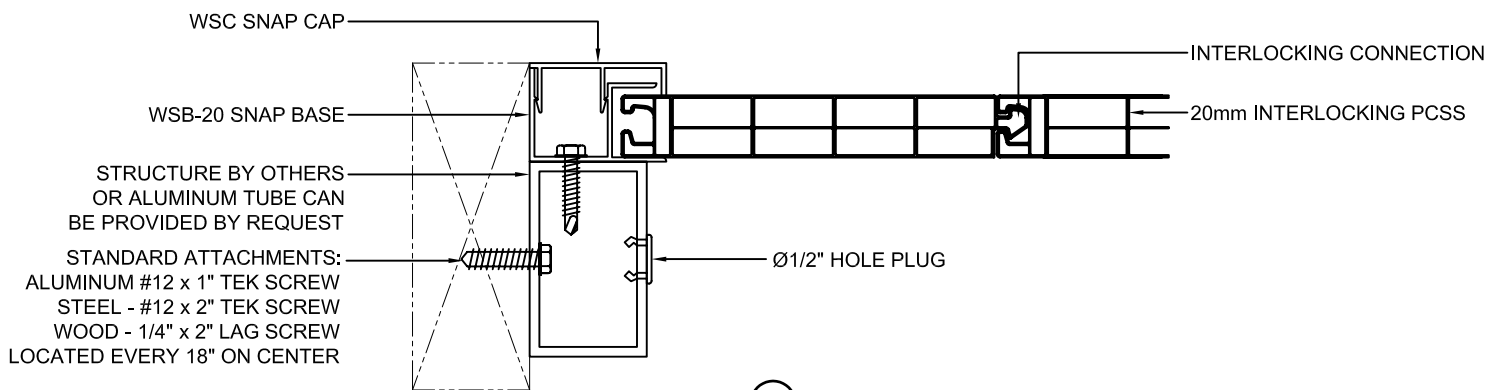
- 10mm
- 20mm (SHOWN)
- 40mm

GLAZING PANELS CAN BE RUN HORIZONTALLY

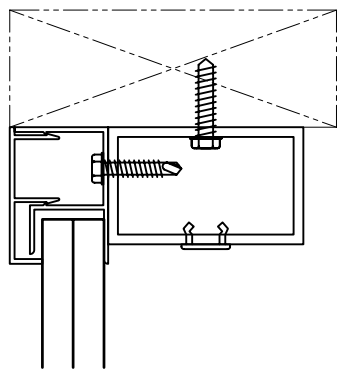


10mm GLAZING

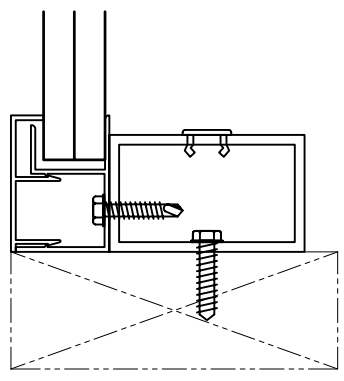
40mm GLAZING



A SECTION



B SECTION



C SECTION



Tel (734) 207-9700 Fax (734) 207-7995
 www.duo-gard.com

THIS DRAWING IS PROPRIETARY AND FOR THE SOLE USE OF OUR CUSTOMER AND MAY NOT BE COPIED OR REPRODUCED WITHOUT PRIOR WRITTEN CONSENT FROM DUO-GARD INDUSTRIES, INC.
LEAD TIME BEGINS UPON RECEIPT OF SIGNED SHOP DRAWINGS.

DESCRIPTION
SERIES 1500 INTERIOR TONGUE & GROOVE SYSTEM

DWN BY	DRW'G DATE	REVISED	SCALE	PAGE	OF	DRWNG #
BDH	4/13/10		NTS	1	1	3016-BPC