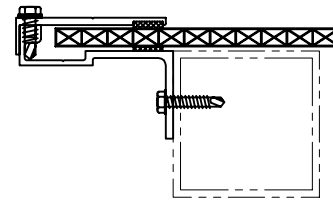
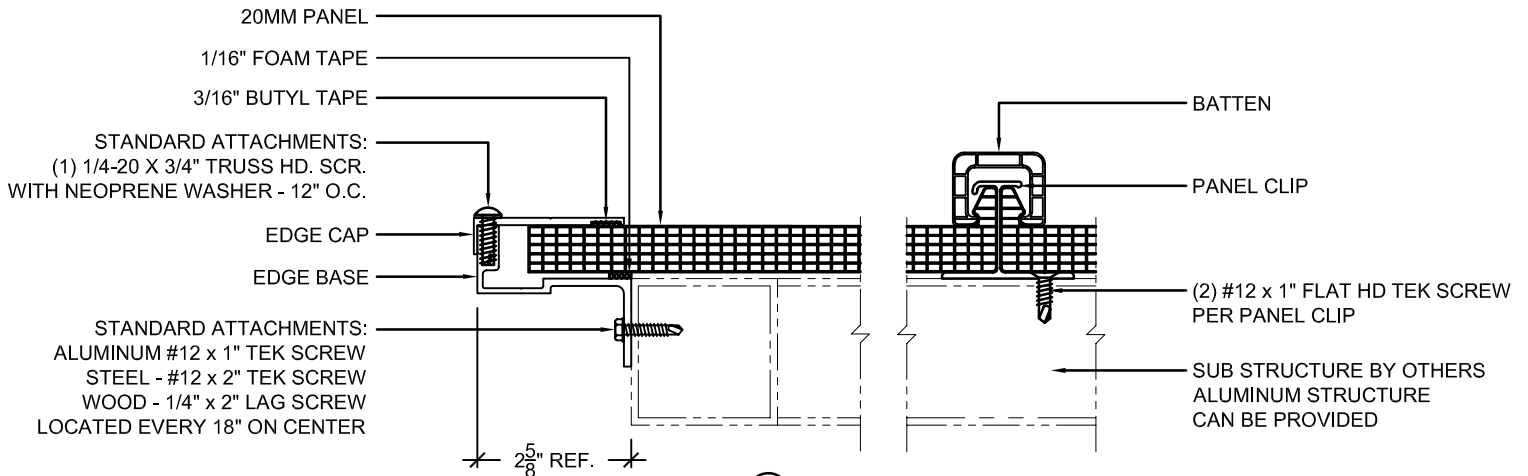


GLAZING THICKNESS OPTIONS

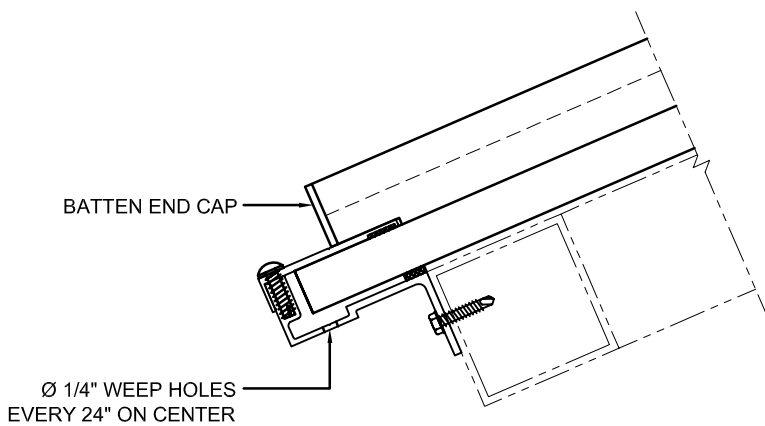
8MM
20MM (SHOWN)



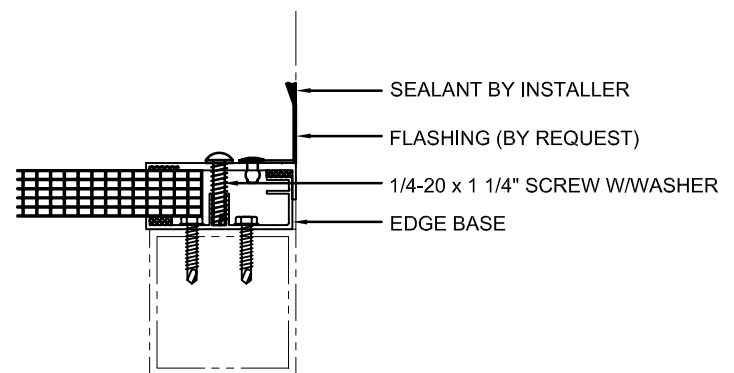
8MM SECTION



A SECTION



B SECTION



C SECTION AGAINST WALL (IF REQ'D.)



Tel (734) 207-9700 Fax (734) 207-7995
www.duo-gard.com

THIS DRAWING IS PROPRIETARY AND FOR THE SOLE USE OF OUR CUSTOMER AND MAY NOT BE COPIED OR REPRODUCED WITHOUT PRIOR WRITTEN CONSENT FROM DUO-GARD INDUSTRIES, INC. LEAD TIME BEGINS UPON RECEIPT OF SIGNED SHOP DRAWINGS

DESCRIPTION

SERIES 2500 FLAT/SLOPED BATTEN SYSTEM

DWN BY	DRW'G DATE	REVISED	SCALE	PAGE	OF	DRWNG #
BDH	6/29/10		NTS	1	1	SCFLT-BATN