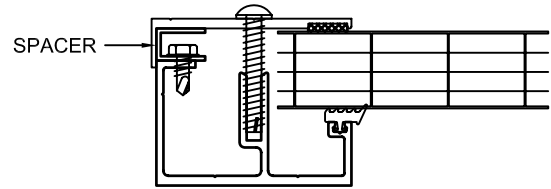
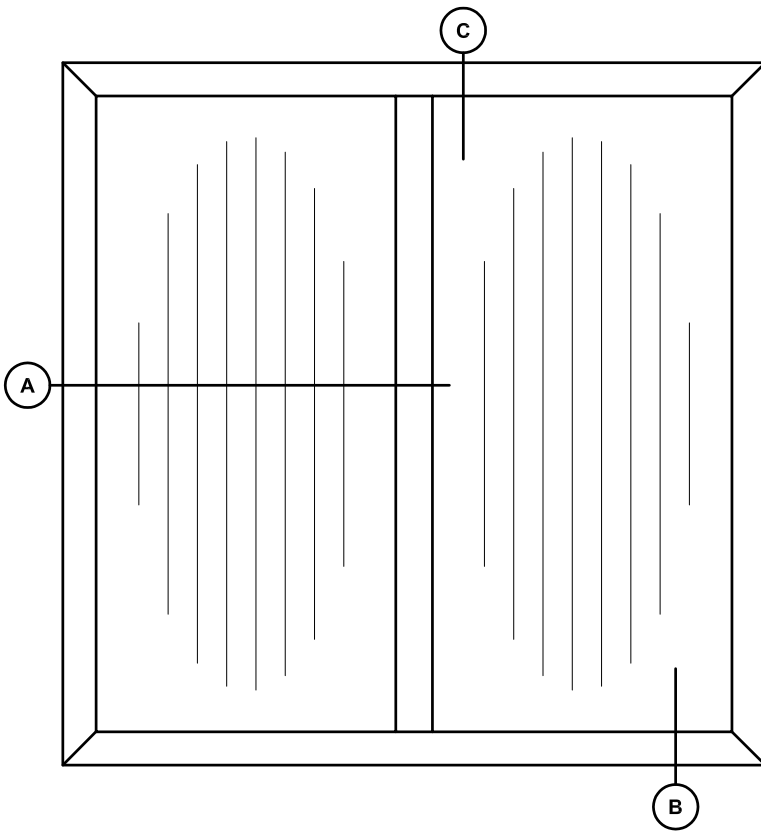
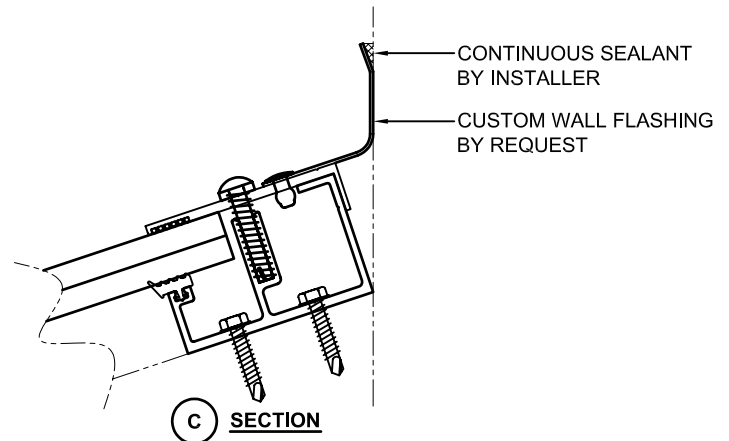
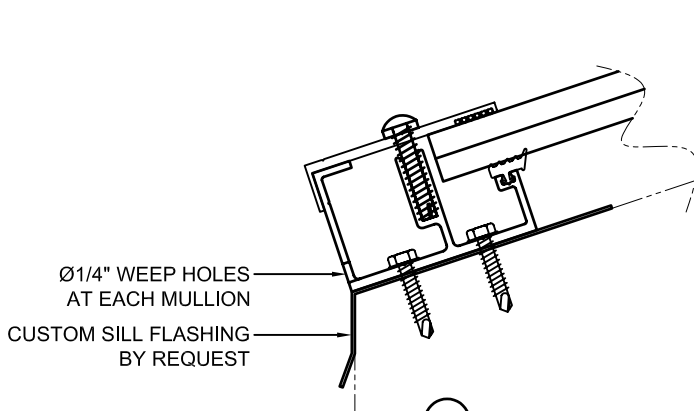
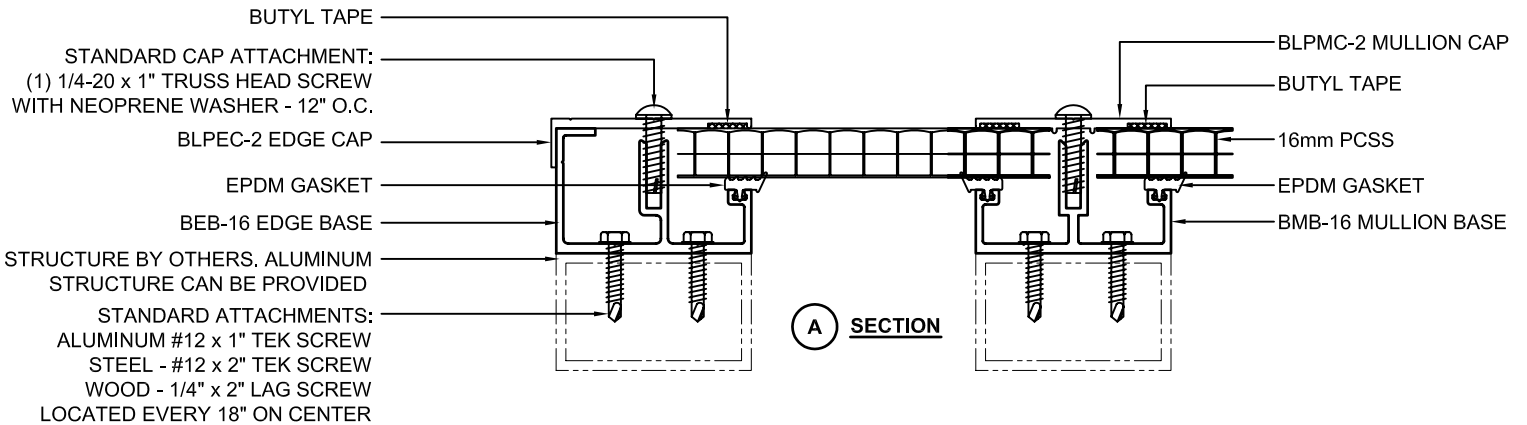


GLAZING THICKNESS OPTIONS

16mm (SHOWN)
25mm



25mm GLAZING



Tel (734) 207-9700 Fax (734) 207-7995
www.duo-gard.com

THIS DRAWING IS PROPRIETARY AND FOR THE SOLE USE OF OUR
CUSTOMER AND MAY NOT BE COPIED OR REPRODUCED WITHOUT
PRIOR WRITTEN CONSENT FROM DUO-GARD INDUSTRIES, INC.
LEAD TIME BEGINS UPON RECEIPT OF SIGNED SHOP DRAWINGS.

DESCRIPTION

SERIES 3000 16mm BPC SYSTEM WITH MULLION

SLOPED CANOPY/SKYLIGHT APPLICATION

| DWN BY | DRW'G DATE | REVISED | SCALE | PAGE | OF | DRWNG # |
|--------|------------|---------|-------|------|----|-----------|
| BDH | 8/6/10 | | NTS | 1 | 1 | SCFLT-BPC |