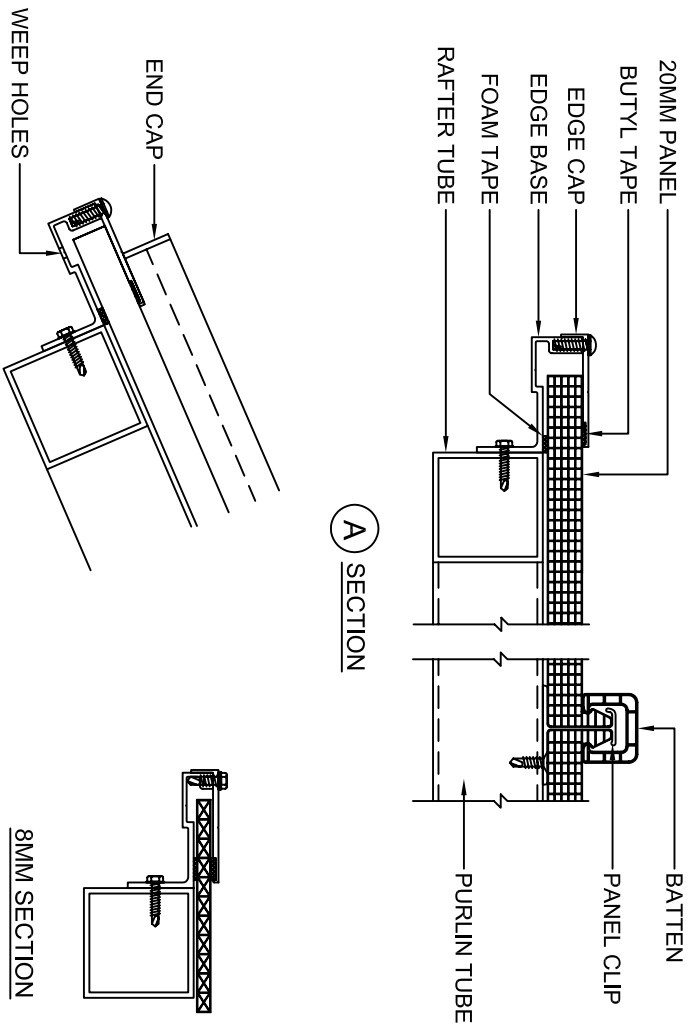


GLAZING THICKNESS OPTIONS  
 8MM  
 20MM (SHOWN)



**C** SECTION (IF REQ'D.)

DESCRIPTION  
**SERIES 2500 CURVED BATTEN SYSTEM**

THIS DRAWING IS PROPRIETARY AND FOR THE SOLE USE OF OUR CUSTOMER AND MAY NOT BE COPIED OR REPRODUCED WITHOUT PRIOR WRITTEN CONSENT FROM DUO-GARD INDUSTRIES, INC. LEAD TIME BEGINS UPON RECEIPT OF SIGNED SHOP DRAWINGS



Tel (734) 207-9700 Fax (734) 207-7995  
 www.duo-gard.com

DRWN BY	BDH	DRWG DATE	3/26/09	SCALE	NTS	PAGE	1	OF	1	DRAWING #	SCCUR-BATN
---------	-----	-----------	---------	-------	-----	------	---	----	---	-----------	------------