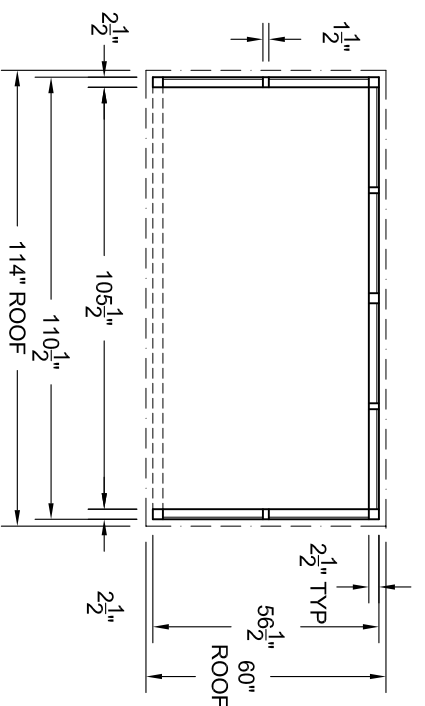
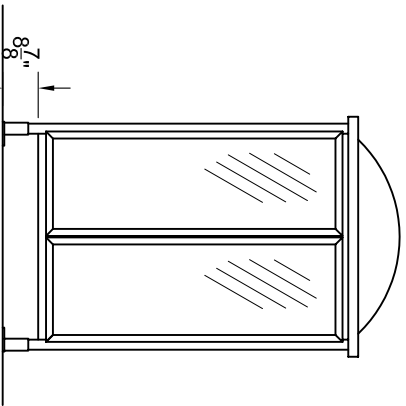


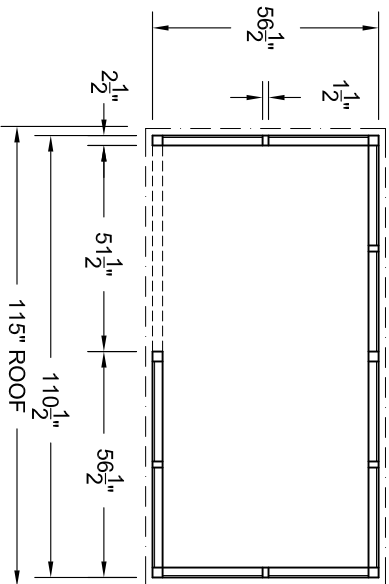
FRONT ELEVATION



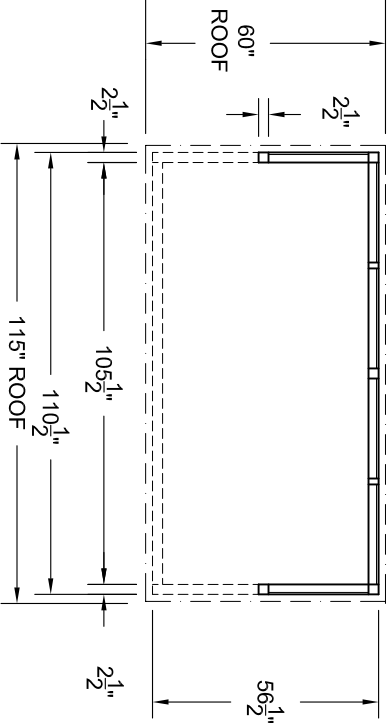
PLAN VIEW: 3-SIDED UNIT



SIDE ELEVATION



PLAN VIEW: 3.5-SIDED UNIT



PLAN VIEW: CANTILEVERED UNIT



Tel (734) 207-9700 Fax (734) 207-7995
www.duo-gard.com

THIS DRAWING IS PROPRIETARY AND FOR THE SOLE USE OF OUR CUSTOMER AND MAY NOT BE COPIED OR REPRODUCED WITHOUT PRIOR WRITTEN CONSENT FROM DUO-GARD INDUSTRIES, INC. LEAD TIME BEGINS UPON RECEIPT OF SIGNED SHOP DRAWINGS

APPROVAL SIGNATURE

DATE

X

PROJECT NAME

DESCRIPTION

5' X 9' / NOM. 5' X 10' SHELTER SHOWING BUBBLE DOME ROOF

PRJ/ENG	PRJ/ MGR	DRW/ G. DATE	REV1	REV2	SCALE	PAGE	OF	DRWING #
		5-7-09			1/4" = 1'-0"	1	1	WBD1