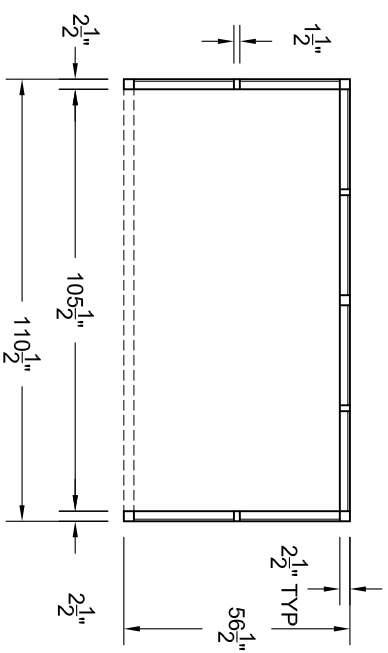
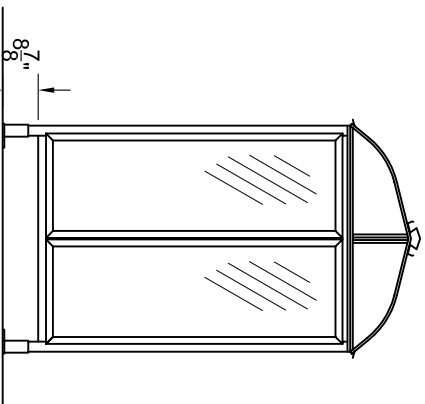


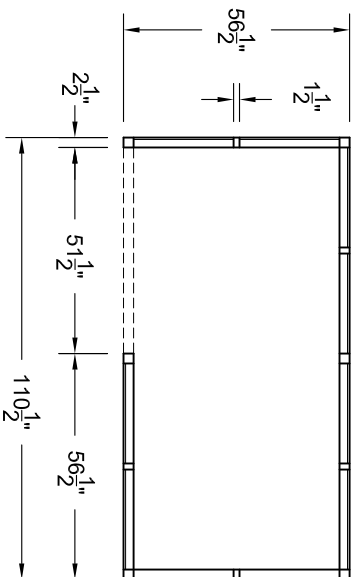
FRONT ELEVATION



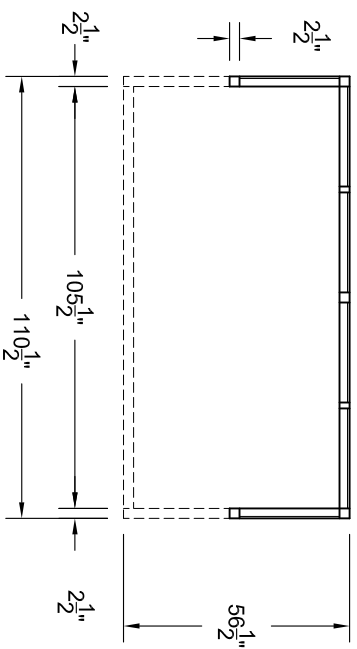
PLAN VIEW: 3-SIDED UNIT



SIDE ELEVATION



PLAN VIEW: 3.5-SIDED UNIT



PLAN VIEW: CANTILEVERED UNIT



Tel (734) 207-9700 Fax (734) 207-7995  
www.duo-gard.com

THIS DRAWING IS PROPRIETARY AND FOR THE SOLE USE OF OUR CUSTOMER AND MAY NOT BE COPIED OR REPRODUCED WITHOUT PRIOR WRITTEN CONSENT FROM DUO-GARD INDUSTRIES, INC. LEAD TIME BEGINS UPON RECEIPT OF SIGNED SHOP DRAWINGS

APPROVAL SIGNATURE

DATE

X \_\_\_\_\_

PROJECT NAME

DESCRIPTION

5' X 9' / NOM. 5' X 10' SHELTER SHOWING CURVED-EAVE TRANSLUCENT ROOF

PRJT ENG

PRJT MGR

DRWG DATE

REV1

REV2

SCALE

PAGE

OF

DRAWING #

5-7-09

1/4" = 1'-0"

1

1

WJTJM