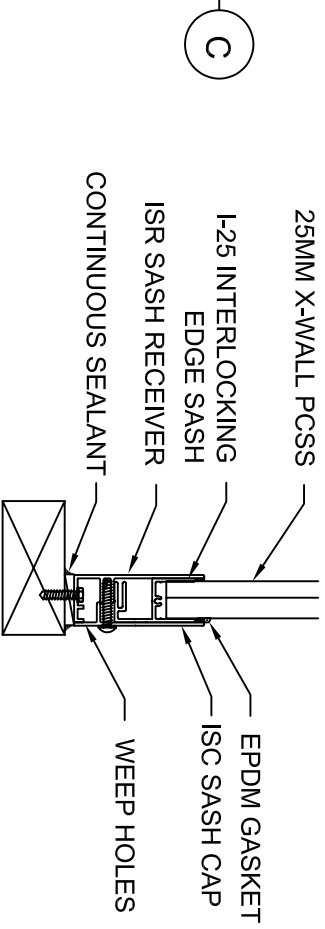
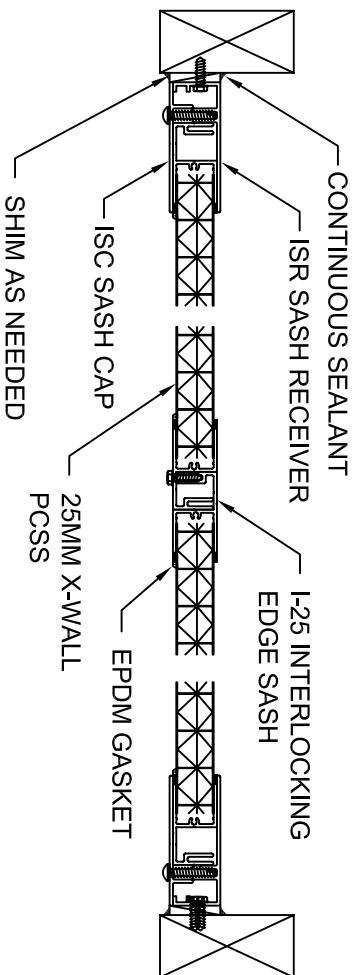


A TYPICAL HEAD SECTION



B TYPICAL SILL SECTION



C TYPICAL JAMB SECTION

GLAZING THICKNESS OPTIONS
25MM

MAXIMUM SPAN BETWEEN STRUCTURAL MEMBERS
2' ON CENTER FOR 37' HIGH PANELS
3' ON CENTER FOR 16' HIGH PANELS
4' ON CENTER FOR 12' HIGH PANELS



Tel (734) 207-9700 Fax (734) 207-7995
www.duo-guard.com

THIS DRAWING IS PROPRIETARY AND FOR THE SOLE USE OF OUR CUSTOMER AND MAY NOT BE COPIED OR REPRODUCED WITHOUT PRIOR WRITTEN CONSENT FROM DUO-GARD INDUSTRIES, INC. LEAD TIME BEGINS UPON RECEIPT OF SIGNED SHOP DRAWINGS

DESCRIPTION

SERIES 2000 I-25 INTERLOCKING VERTICAL GLAZING

DWGN BY
BDH

DRWG DATE
3/26/09

SCALE
NTS

PAGE
1

OF
1

DRWGING #
2025-1