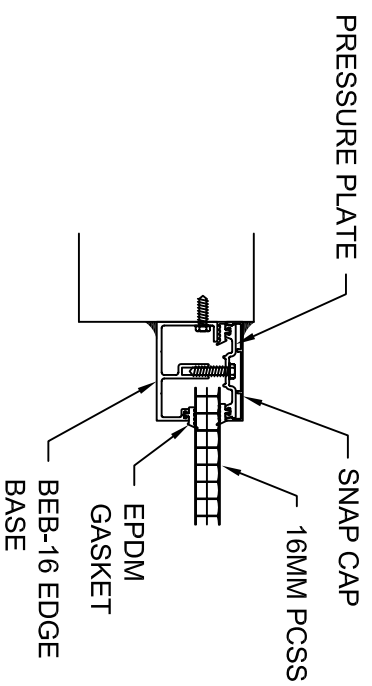


GLAZING THICKNESS OPTIONS

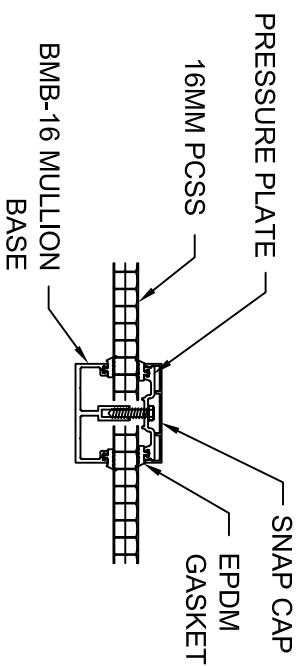
16MM
25MM

DOUBLE GLAZE: SEE SERIES 3000 DUO-GLAZE

MAXIMUM SPAN
8 FEET



A TYPICAL EDGE SECTION



B TYPICAL MULLION SECTION

DESCRIPTION

SERIES 3000 16mm BPC SYSTEM WITH MULLION

THIS DRAWING IS PROPRIETARY AND FOR THE SOLE USE OF OUR CUSTOMER AND MAY NOT BE COPIED OR REPRODUCED WITHOUT PRIOR WRITTEN CONSENT FROM DUO-GARD INDUSTRIES, INC. LEAD TIME BEGINS UPON RECEIPT OF SIGNED SHOP DRAWINGS



Tel (734) 207-9700 Fax (734) 207-7995
www.duo-gard.com

<table border="1"> <tr> <td>DWGN BY</td> <td>BDH</td> </tr> <tr> <td>DRWG DATE</td> <td>3/26/09</td> </tr> </table>	DWGN BY	BDH	DRWG DATE	3/26/09	<table border="1"> <tr> <td>SCALE</td> <td>NTS</td> </tr> <tr> <td>PAGE</td> <td>1</td> </tr> <tr> <td>OF</td> <td>1</td> </tr> <tr> <td>DRWGING #</td> <td>3016-BPC</td> </tr> </table>	SCALE	NTS	PAGE	1	OF	1	DRWGING #	3016-BPC
DWGN BY	BDH												
DRWG DATE	3/26/09												
SCALE	NTS												
PAGE	1												
OF	1												
DRWGING #	3016-BPC												