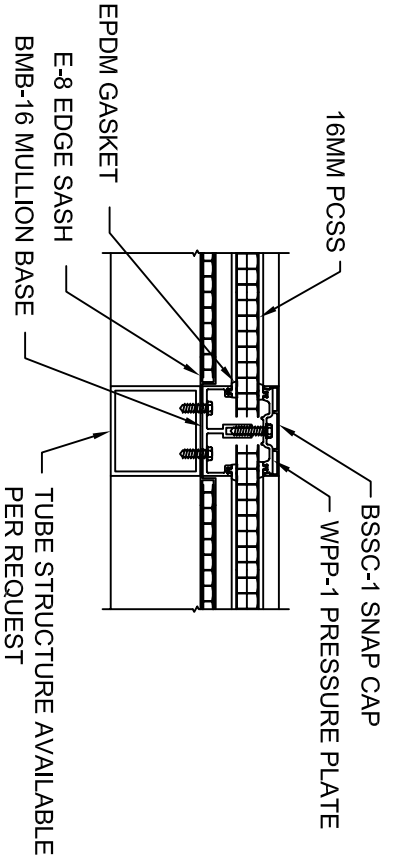


A TYPICAL EDGE SECTION



B TYPICAL MULLION SECTION

THIS DRAWING IS PROPRIETARY AND FOR THE SOLE USE OF OUR CUSTOMER AND MAY NOT BE COPIED OR REPRODUCED WITHOUT PRIOR WRITTEN CONSENT FROM DUO-GARD INDUSTRIES, INC. LEAD TIME BEGINS UPON RECEIPT OF SIGNED SHOP DRAWINGS

DESCRIPTION
SERIES 3000 BPC SYSTEM WITH E-8 AND MULLION



Tel (734) 207-9700 Fax (734) 207-7995
 www.duo-gard.com

DWGN BY	DRWG DATE	SCALE	PAGE	OF	DRWING #
BDH	3/26/09	NTS	1	1	31608R