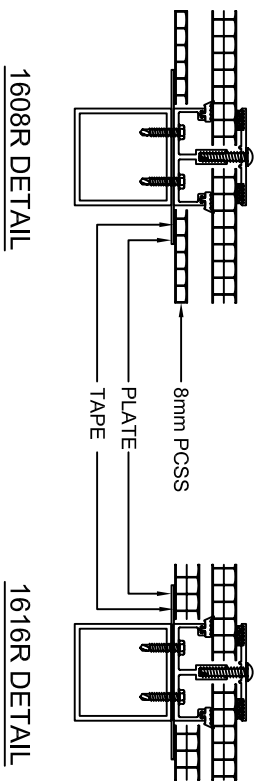


GLAZING OPTIONS

16MM PCSS (SHOWN)
 25MM PCSS
 AVAILABLE IN DOUBLE GLAZE

DOUBLE GLAZE DETAILS



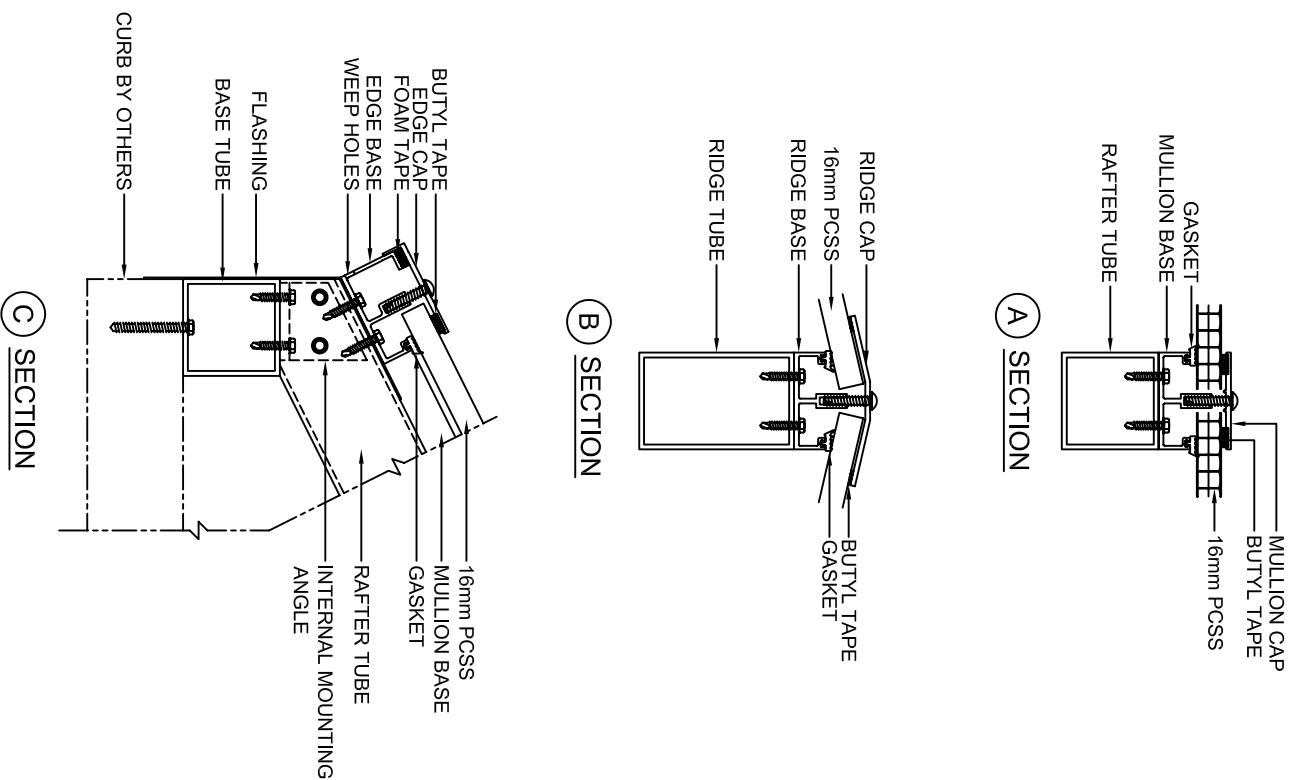
1608R DETAIL

1616R DETAIL

THIS DRAWING IS PROPRIETARY AND FOR THE SOLE USE OF OUR CUSTOMER AND MAY NOT BE COPIED OR REPRODUCED WITHOUT PRIOR WRITTEN CONSENT FROM DUO-GARD INDUSTRIES, INC. LEAD TIME BEGINS UPON RECEIPT OF SIGNED SHOP DRAWINGS

SERIES 3000 BPC PYRAMID SYSTEM

DESCRIPTION



(A) SECTION

(B) SECTION

(C) SECTION

DWGN BY BDH	DRWG DATE 3/26/09	SCALE NTS	PAGE 1	OF 1	DRAWING # SCPYR-BPC
-----------------------	-----------------------------	---------------------	------------------	----------------	-------------------------------