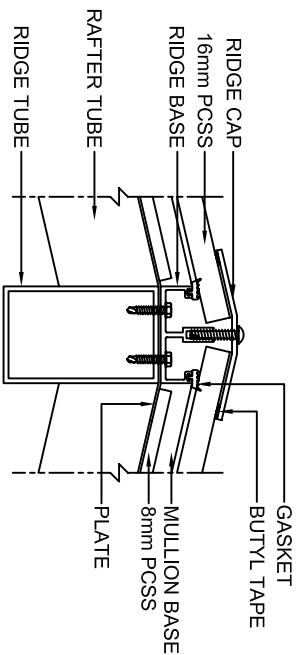
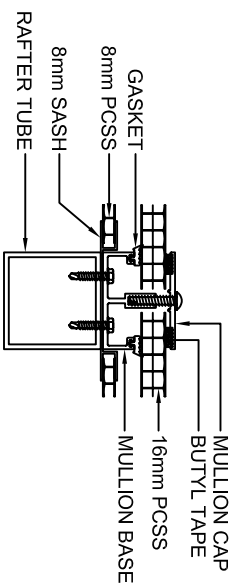


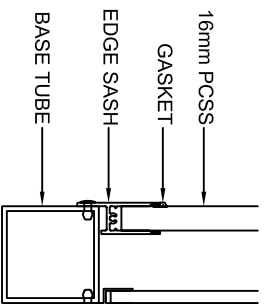
**GLAZING OPTIONS**  
 16MM PCSS (SHOWN)  
 25MM PCSS



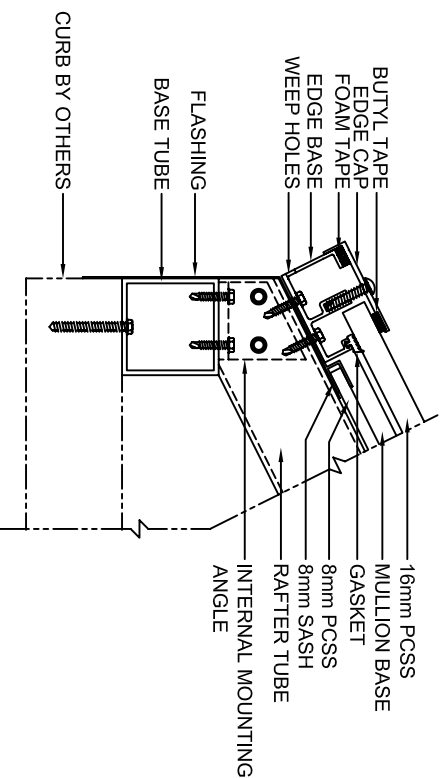
**(A) SECTION**



**(B) SECTION**



**(D) SECTION**



**(C) SECTION**

THIS DRAWING IS PROPRIETARY AND FOR THE SOLE USE OF OUR CUSTOMER AND MAY NOT BE COPIED OR REPRODUCED WITHOUT PRIOR WRITTEN CONSENT FROM DUO-GARD INDUSTRIES, INC. LEAD TIME BEGINS UPON RECEIPT OF SIGNED SHOP DRAWINGS

DESCRIPTION  
**SERIES 3000 BPC DOUBLE GLAZED RIDGE SYSTEM**



Tel (734) 207-9700 Fax (734) 207-7995  
 www.duo-gard.com

DWN BY <b>BDH</b>	DRWG DATE <b>3/26/09</b>	SCALE <b>NTS</b>	PAGE <b>1</b>	OF <b>1</b>	DRAWING # <b>SCRID-BPC-1608</b>
----------------------	-----------------------------	---------------------	------------------	----------------	------------------------------------