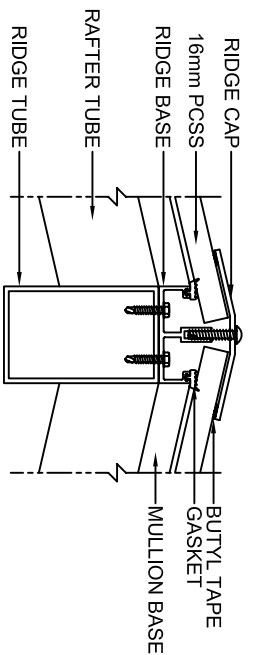
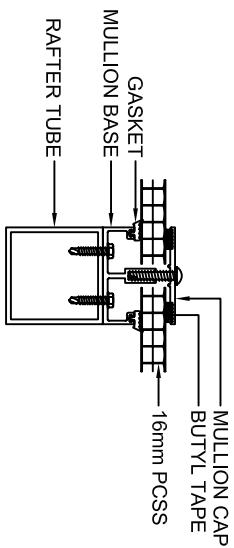


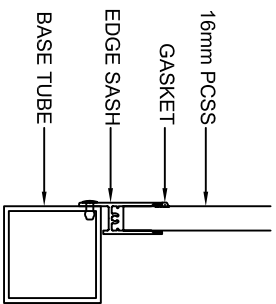
GLAZING OPTIONS
 16MM PCSS (SHOWN)
 25MM PCSS
 AVAILABLE IN DOUBLE GLAZE



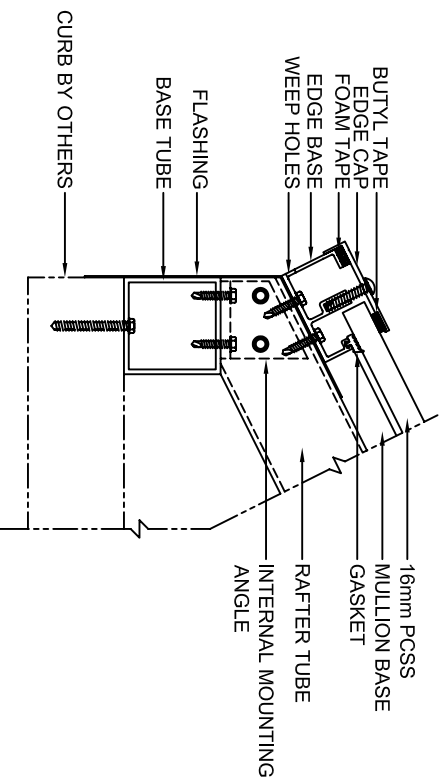
A SECTION



B SECTION



D SECTION



C SECTION

THIS DRAWING IS PROPRIETARY AND FOR THE SOLE USE OF OUR CUSTOMER AND MAY NOT BE COPIED OR REPRODUCED WITHOUT PRIOR WRITTEN CONSENT FROM DUO-GARD INDUSTRIES, INC. LEAD TIME BEGINS UPON RECEIPT OF SIGNED SHOP DRAWINGS

DESCRIPTION
SERIES 3000 BPC RIDGE SYSTEM



Tel (734) 207-9700 Fax (734) 207-7995
 www.duo-gard.com

DWN BY BDH	DRWG DATE 3/26/09	SCALE NTS	PAGE 1	OF 1	DRWING # SCRID-BPC
----------------------	-----------------------------	---------------------	------------------	----------------	------------------------------