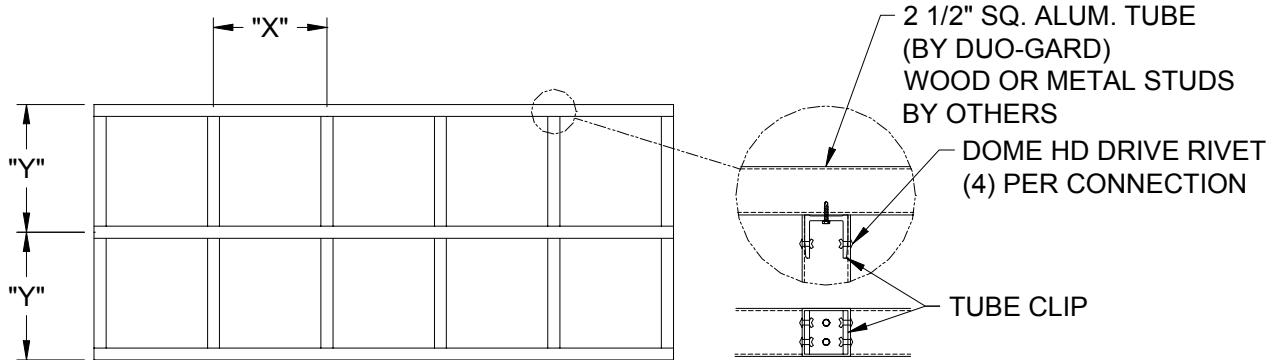


# Duo-Gard Translucent Interior Wall System

## Vertical Panel Configuration Guide

### Demountable Interior Wall System



Series	Glazing Thickness	Aluminum Tube Structural Dimension		Std. Glazing Panel Dimension		Glazing Style	Panel Joints
		X	Y	Width	Max. Length		
1500	10mm	12'	4'	23.82"	24'	Continuous	Tongue & Groove
1500	20mm	12'	6'	13.11"	24'	Continuous	Tongue & Groove
2500	8mm	12'	6'	23.78"	24'	Continuous	Plastic Batten
2500	8mm	12'	8'	23.78"	24'	Continuous	Aluminum Batten
2500	20mm	12'	8'	23.63"	24'	Continuous	Plastic Batten
2500	20mm	12'	10'	23.63"	24'	Continuous	Aluminum Batten
3000	16mm	12'	8'	24" - 72"	24'	Segmented	Aluminum Mullions
3000	25mm	12'	10'	48"	24'	Segmented	Aluminum Mullions

- Note:**
- \* Panels can be configured up to 39' from top to bottom without a break (*special order*).
  - \* DGI provides wall structure in aluminum only.
  - \* Horizontal steel may be configured to the Y dimension specified for aluminum tube.