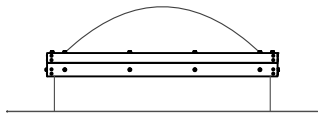
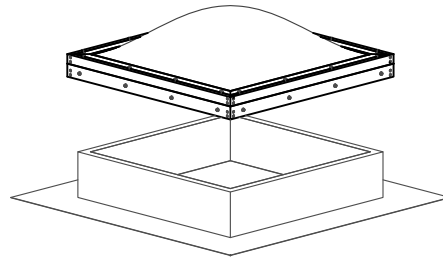


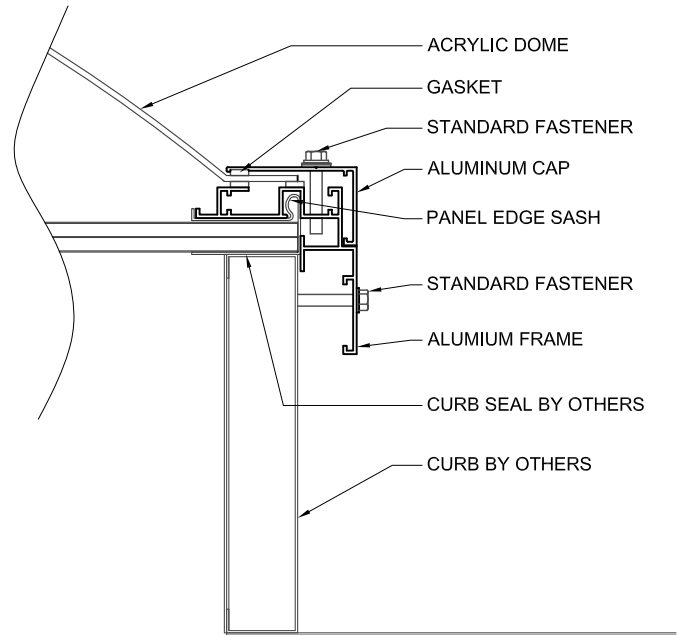
**PLAN**



**ELEVATION**



**ISOMETRIC EXPLODED VIEW**



**SECTION 'A'**

STANDARD ATTACHMENTS:  
 ALUMINUM:  
 #12 x 1" TEK SCREW W/ #3 TIP & NEOPRENE WASHER  
 STEEL:  
 #12 x 2" TEK SCREW W/ #5 TIP & NEOPRENE WASHER  
 WOOD:  
 1/4" x 2" LAG SCREW W/ NEOPRENE WASHER

NOTE:  
 ATTACHMENT METHODS & SPACING BASED ON STANDARD  
 90 MPH WIND LOAD CONDITIONS. CONTACT DUO-GARD TO  
 DISCUSS ALTERNATE LOAD CONDITIONS.



THIS DRAWING IS PROPRIETARY AND FOR THE SOLE USE OF OUR  
 CUSTOMER AND MAY NOT BE COPIED OR REPRODUCED WITHOUT  
 PRIOR WRITTEN CONSENT FROM DUO-GARD INDUSTRIES, INC.  
**LEAD TIME BEGINS UPON RECEIPT OF SIGNED SHOP DRAWINGS**

DESCRIPTION						
MAXIMIZER SKYLIGHT						
MAXIMIZER UNIT SKYLIGHT						
DWN BY	DRW'G DATE	SCALE	PAGE	OF	DRWNG #	
JL	7/28/16	NTS	1	1	MAXIMIZER SKYLIGHT	