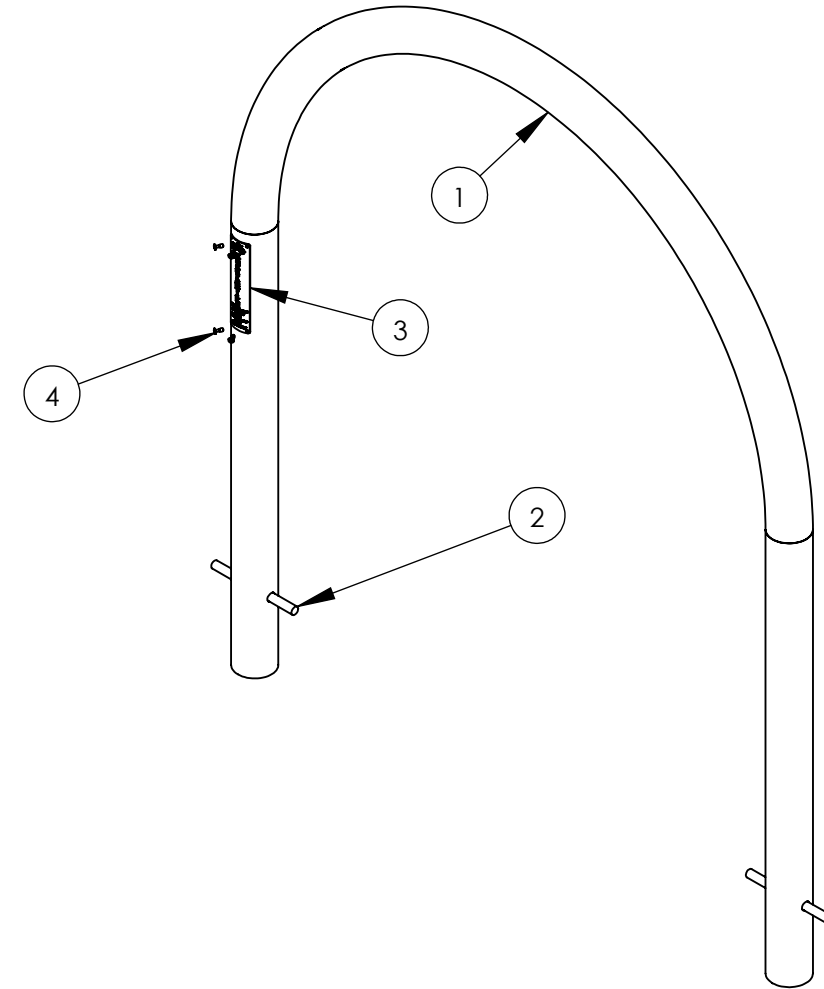
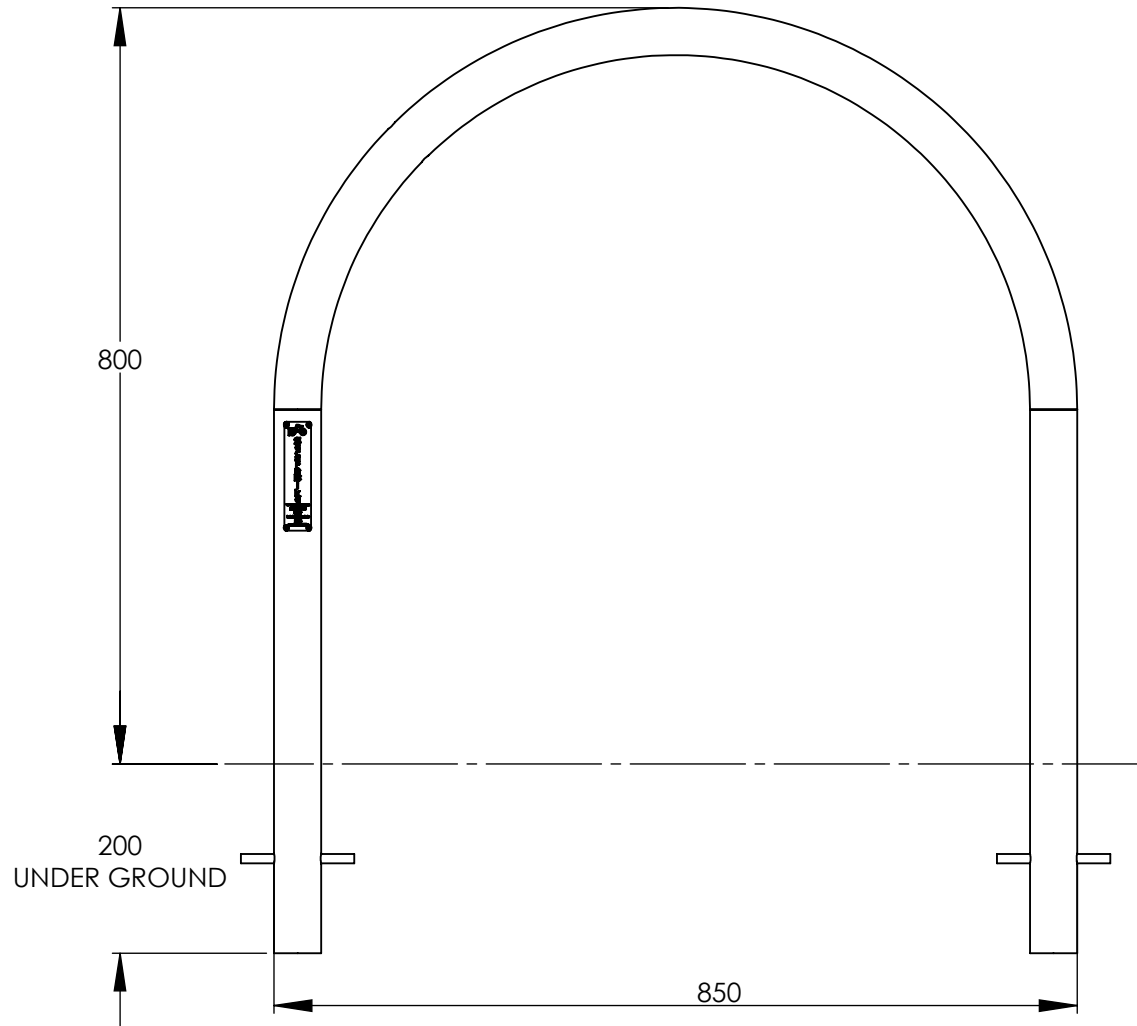
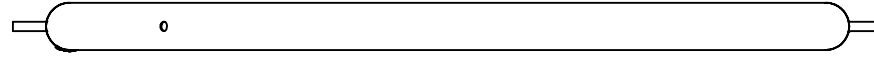


BILL OF MATERIALS					
ITEM NO.	QTY.	ITEM	DESCRIPTION	LENGTH	WIDTH
1	1	LS80164	Φ50x2mm BR85F-MAIN TUBE	-	-
2	2	LS80158	ROUND BAR MS Φ10mm BR11F-ROUND BAR	-	-
3	1	LS28134	Securabike Aluminium Label(Bend)	-	-
4	4	LS28285	Aluminium RIVET Ø2.4*6mm	-	-



MATERIAL DESCRIPTION: -				
FINISH: -				WEIGHT: kg
SCALE: 1:8 AT A3		SW FILE: LS80163-BR85F-FULLY ASSM		
LINEAL TOLERANCES		ANGULAR TOLERANCES		
1.0 to 250 ± 0.2	250 to 500 ± 0.5	500 to 1000 ± 1.0	1000 to 5000 ± 2.5	± 0.5°
 THIRD ANGLE PROJECTION				



HEAD OFFICE: 18 Reliance Drive, Tuggerah NSW 2258  
 Phone +61 2 4353 3377 - Fax +61 2 4353 2255 - Email lvsales@l-v.com.au  
 © COPYRIGHT 2015 - ALL INTELLECTUAL PROPERTY RIGHTS RESERVED

ISSUED FOR: -		DRAWN BY: LIBO	
JOB No. -	CLIENT/SITE: -	APPROVED BY: -	
MODEL DESCRIPTION: BR85F-FULLY ASSM			
ITEM: LS80163	REV: D1 INDEX: -	DRAWING DATE: 2016/5/13	SHEET: 1 OF 1