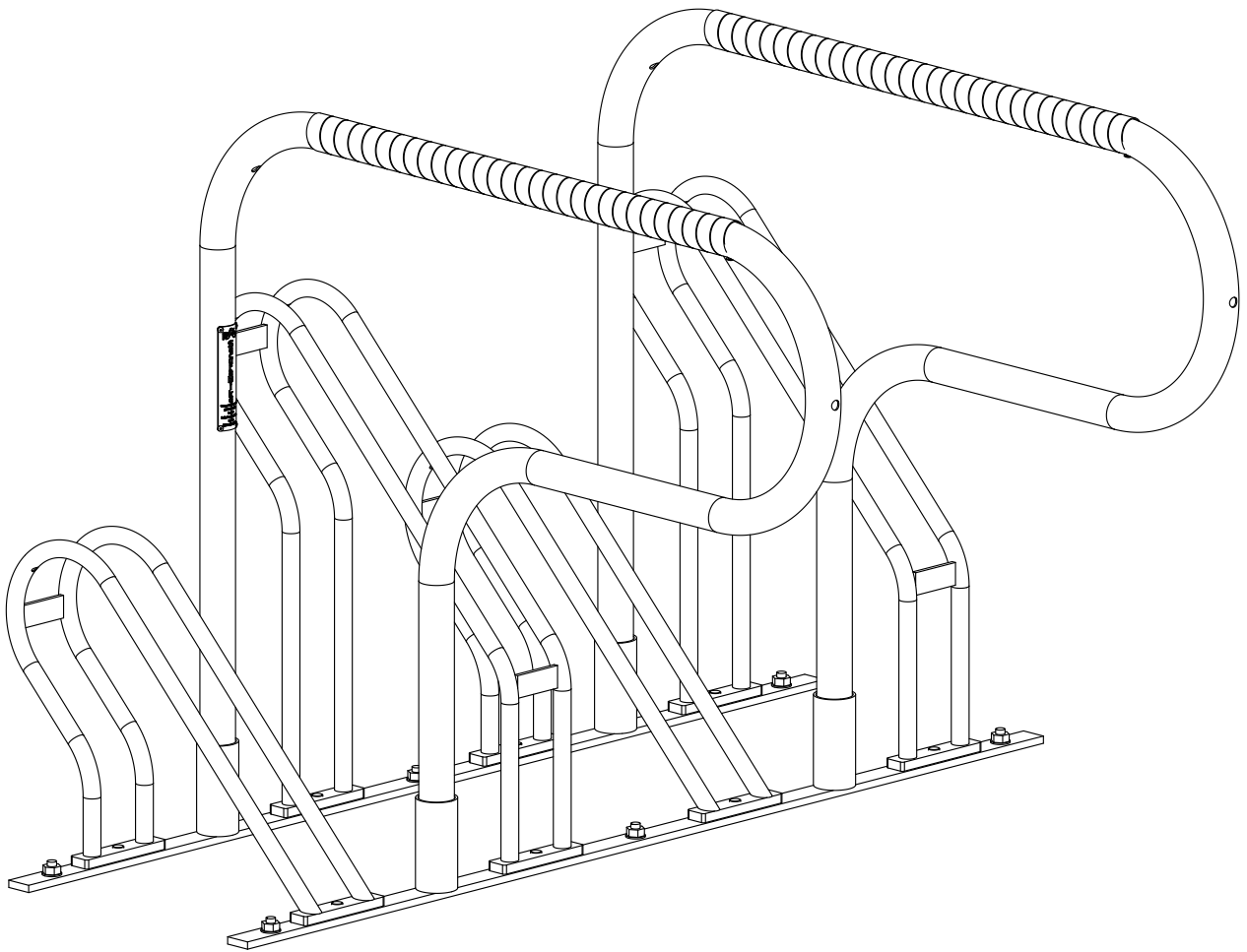




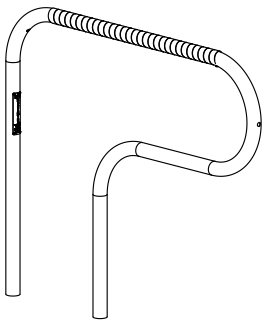
CBT4SC INSTALLATION MANUAL



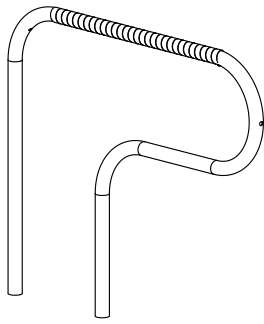
ISSUED:21/09/2016
REVISION:A



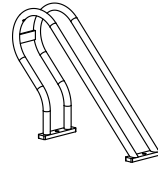
Parts and Fittings



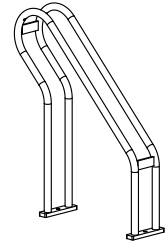
A



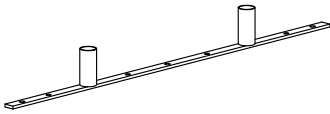
B



C



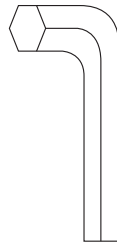
D



E



F



G



H

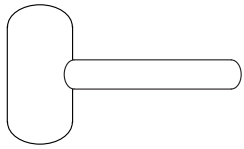


I

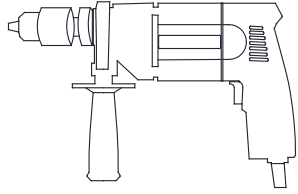
Materials

Number	Description	Quantity
A	Leaning Rail With Lable	1
B	Leaning Rail Without Lable	1
C	Wheel Support Low	2
D	Wheel Support High	2
E	Base Rail	2
F	Screw Socket C/S M12*20 SS304	12
G	8mm Hex Socket	1
H	Dynabolt 12mm(M10)×60mm Gal	1
I	M12 Percussion Drill Bit	1

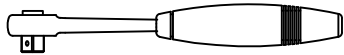
What you will need



hammer × 1



masonry drill × 1

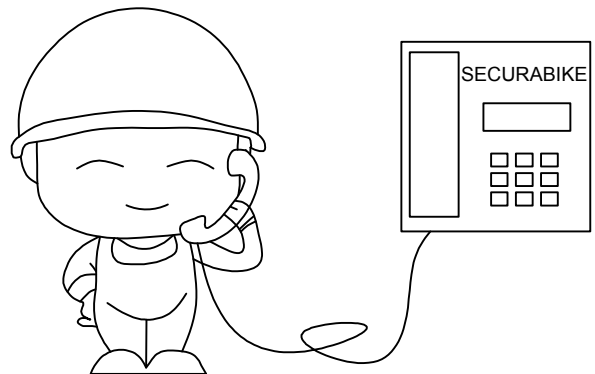
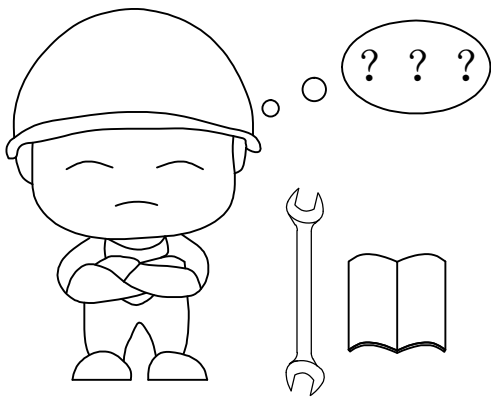


socket set × 1



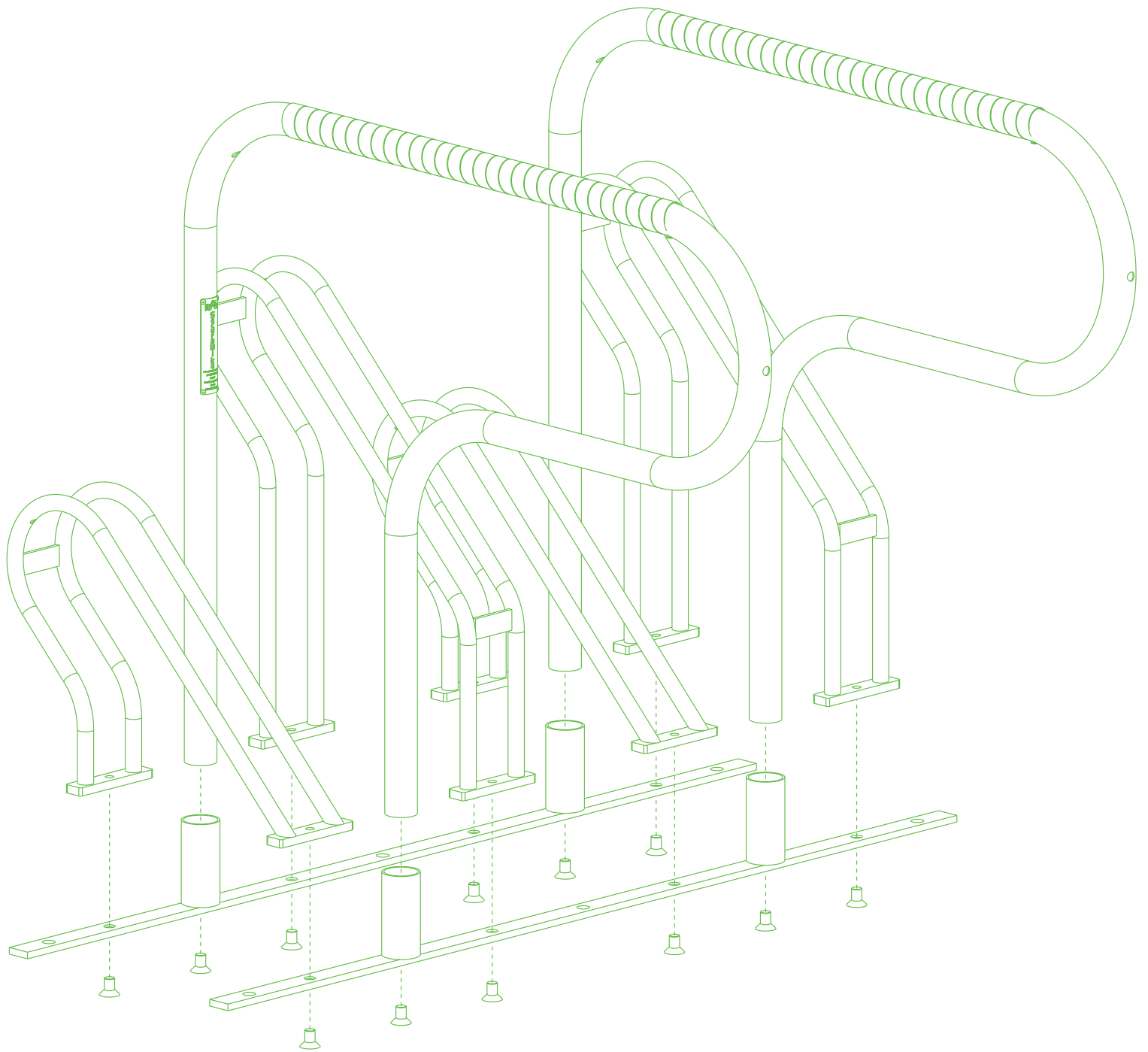
worker × 1

Tips



TO INSTALL EACH CBR4SC

Step 1




Ⓐ × 1

Ⓒ × 2

Ⓔ × 2

Ⓖ × 1

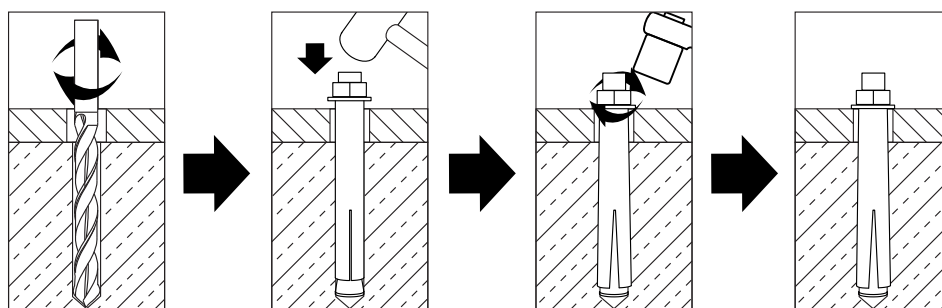
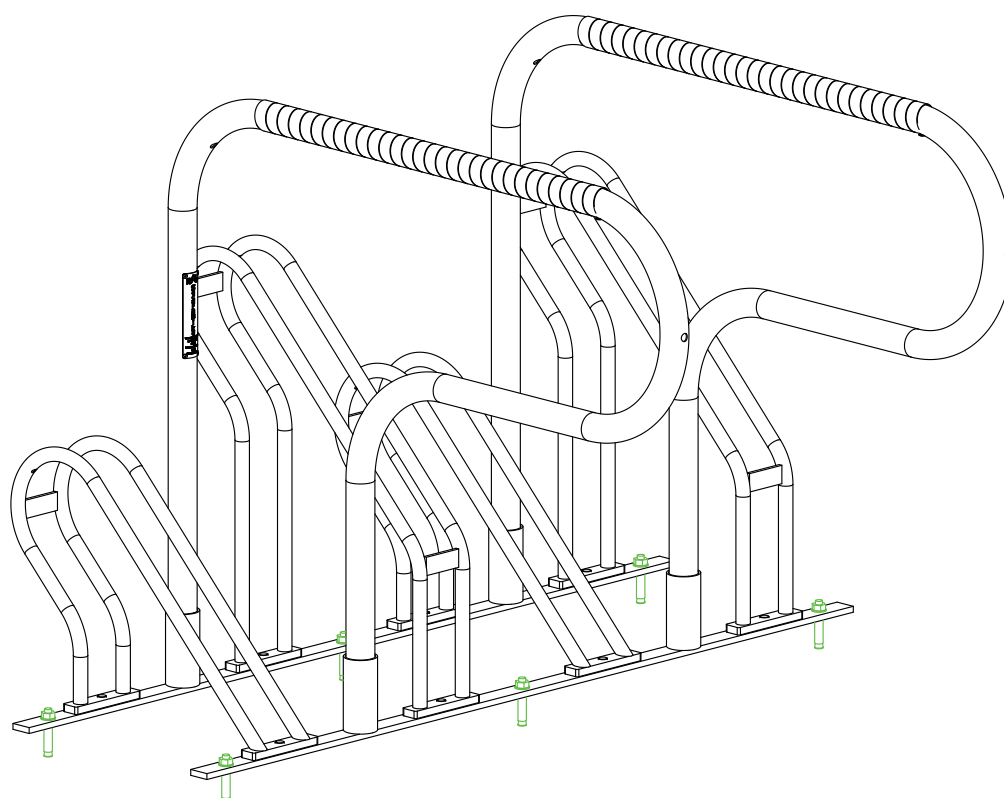
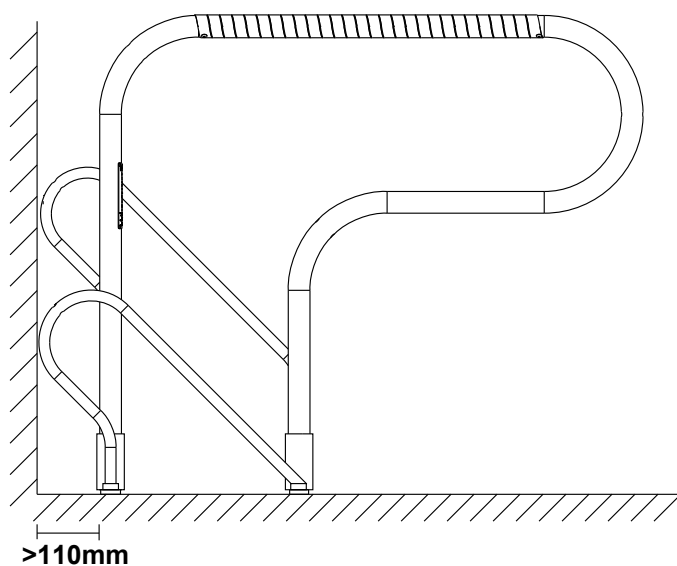
 × 1

Ⓑ × 1

Ⓓ × 2

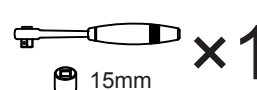
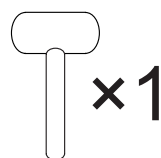
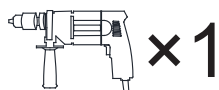
Ⓕ × 12

Step 2



Ⓜ × 1

Ⓜ × 1



15mm

