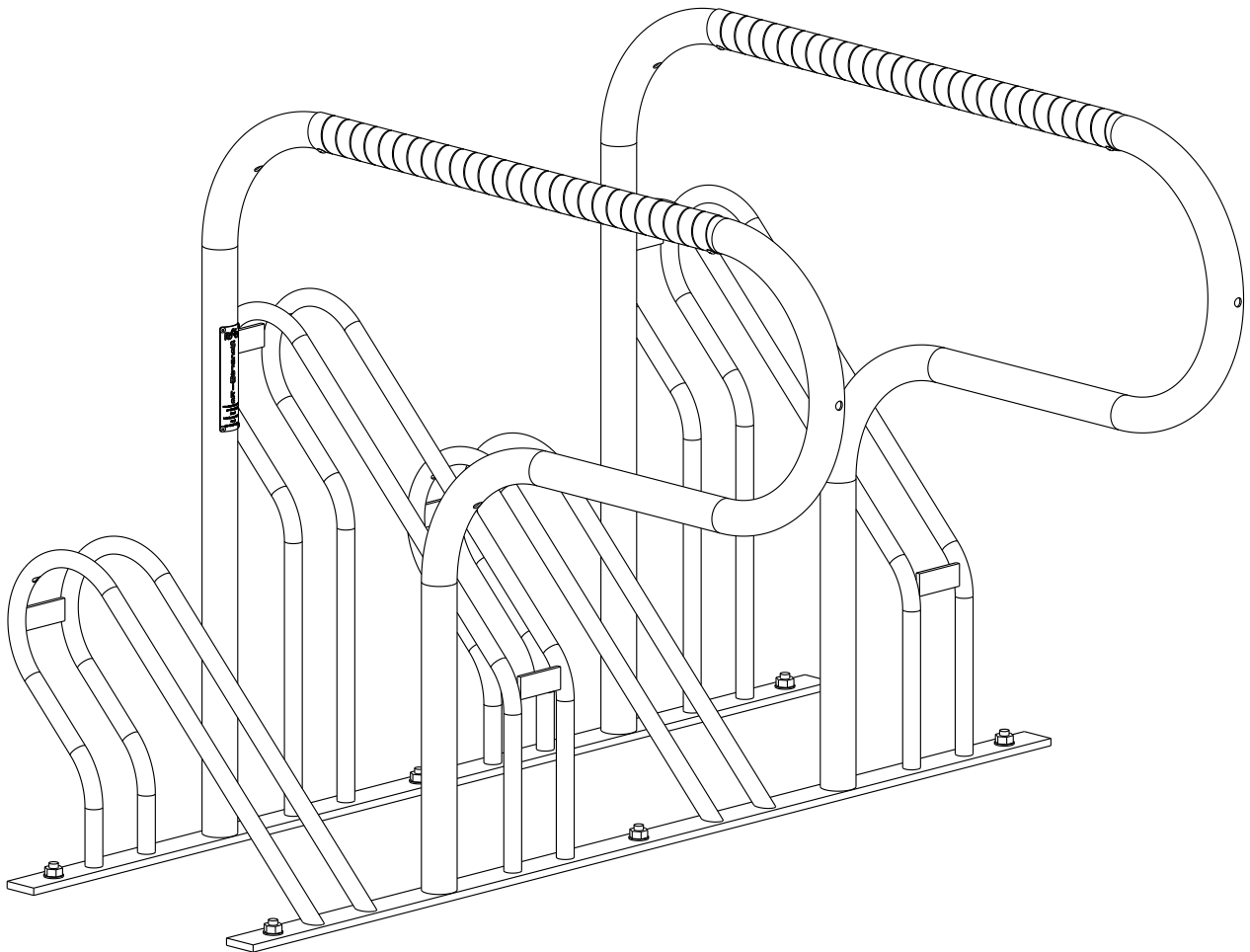




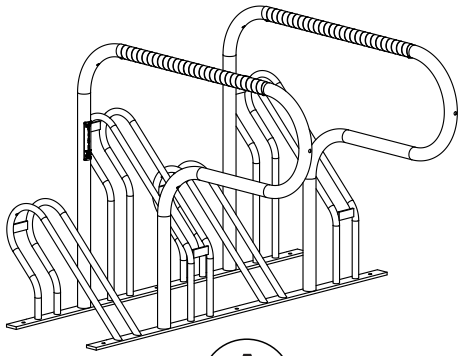
# CBT4SCTM INSTALLATION MANUAL



ISSUED:08/09/2016  
REVISION:A



# Parts and Fittings



A



B

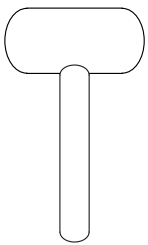


C

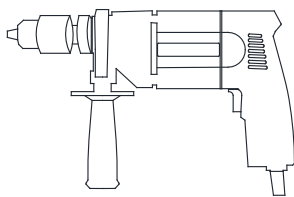
## Materials

Number	Description	Quantity
A	CBR4SCTM RACK	1
B	Dynabolt 12mm(M10)×60mm Gal	6
C	M12 Percussion Drill Bit	1

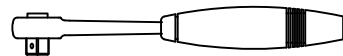
## What you will need



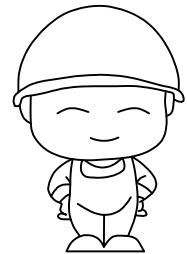
hammer × 1



masonry drill × 1

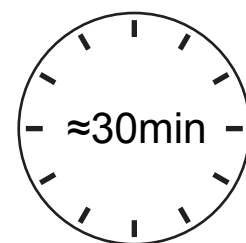
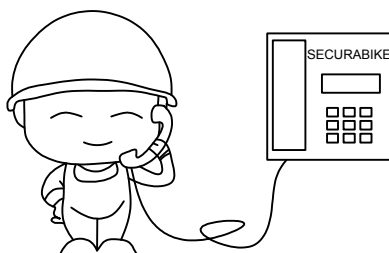
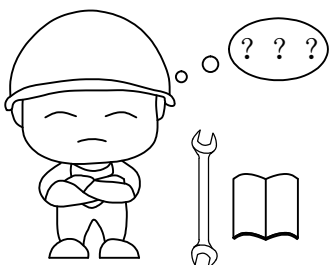


socket set × 1  
15mm



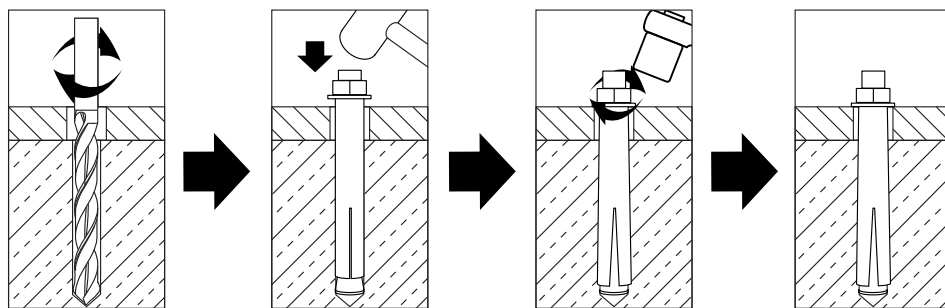
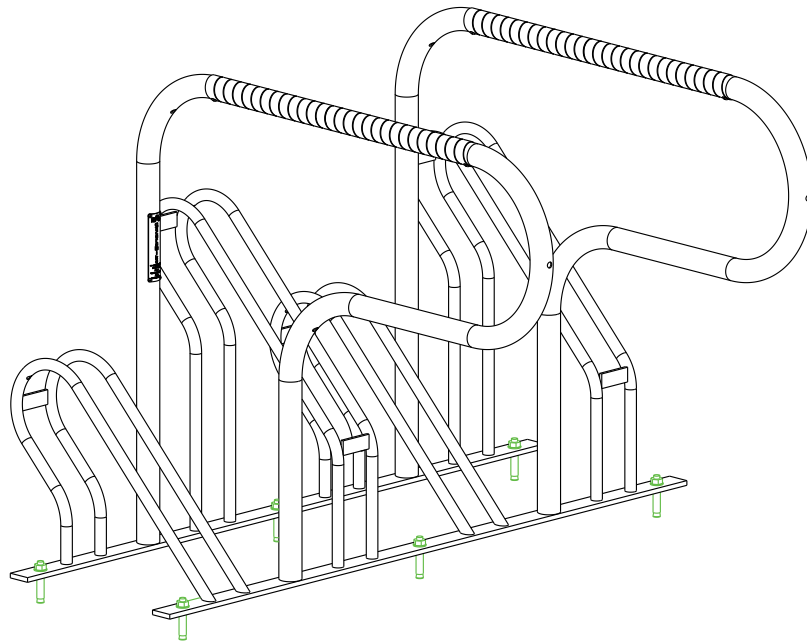
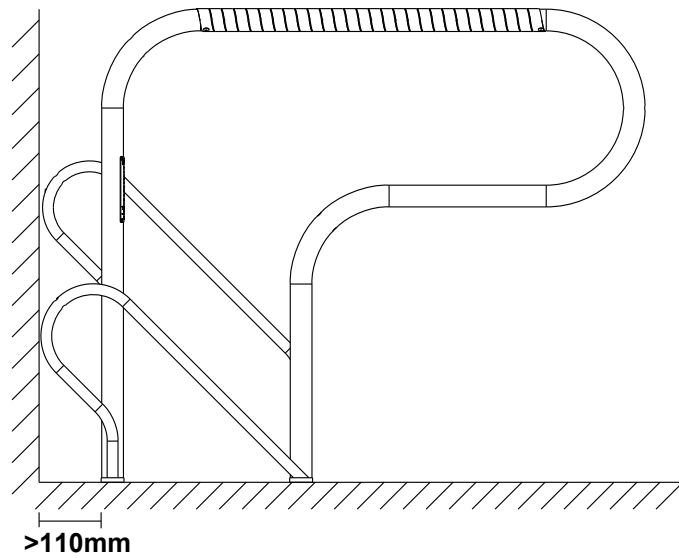
worker × 2

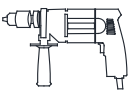
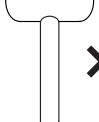
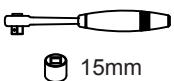

## Tips



TO INSTALL EACH CBR4SCTM

# Step 1



**A** × 1   **B** × 6   **C** × 1    × 1    × 1    × 1    × 1

15mm