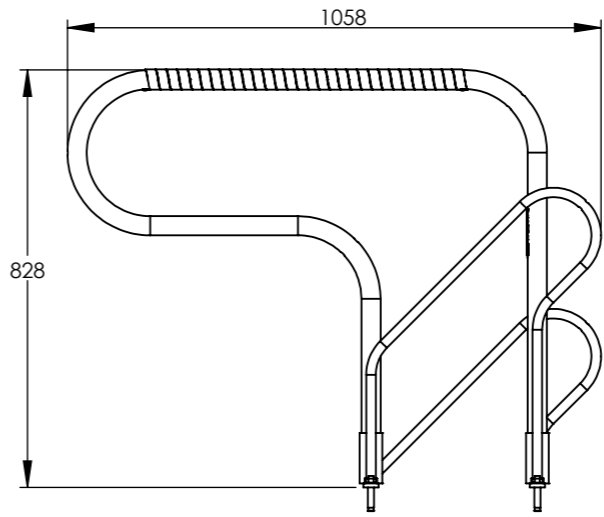
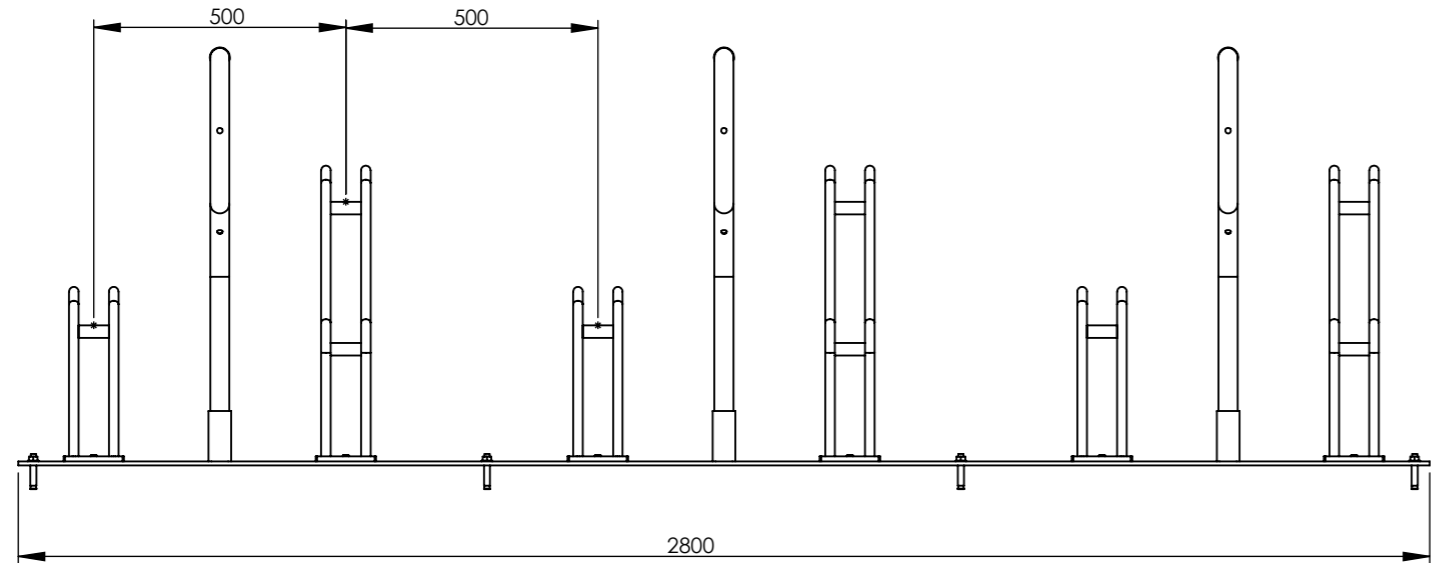
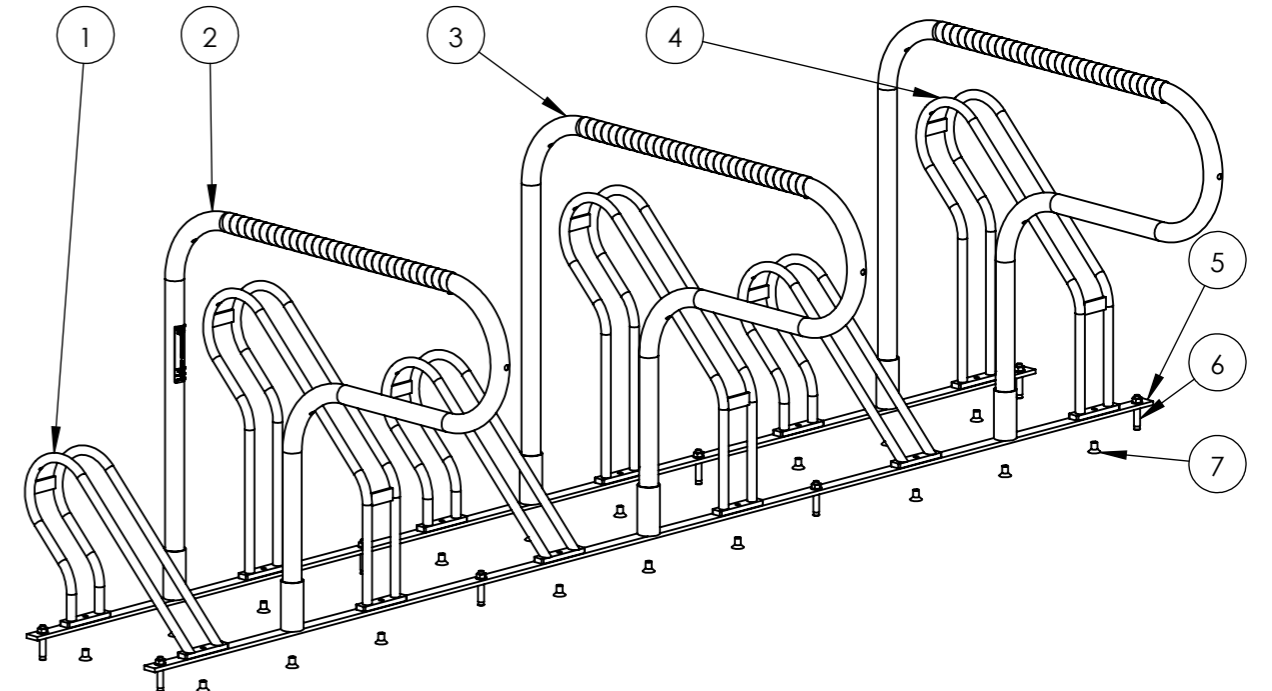
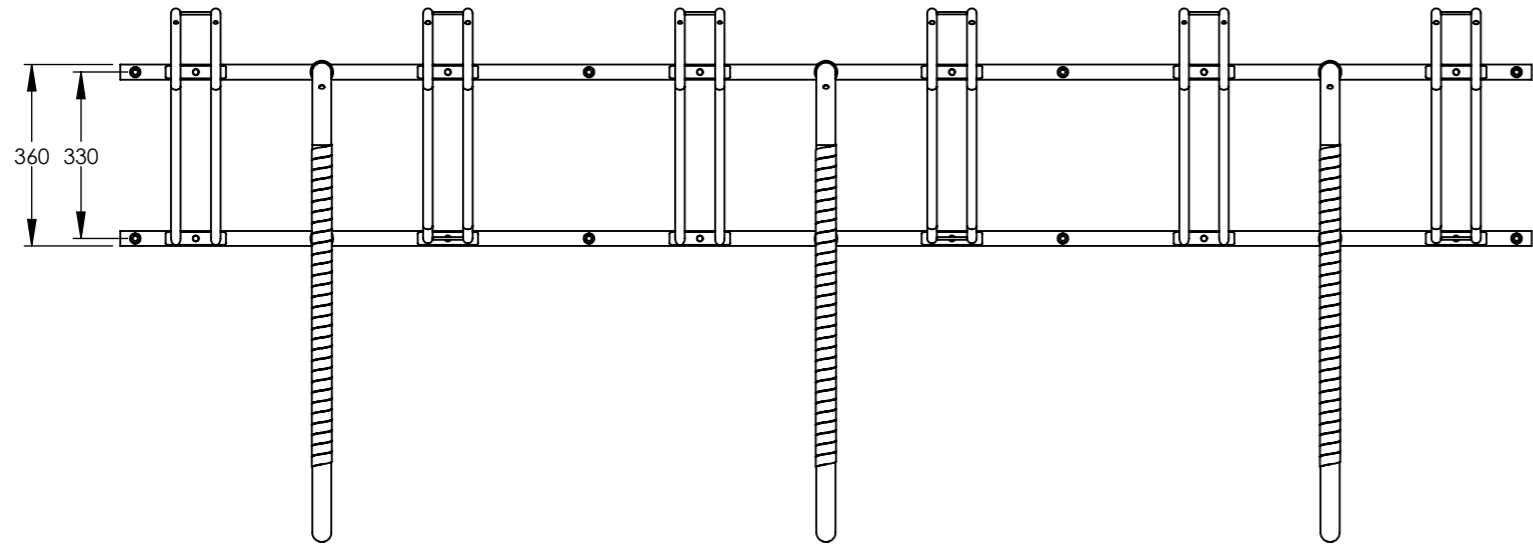


BILL OF MATERIALS				
ITEM NO.	INDEX	QTY.	ITEM	DESCRIPTION
1		3	LS80764	MS CBR4SC-WHEEL SUPPORT ASSM LOW
2	-	1	LS80770	CBR4SC-RAIL WITH LABEL HOLE ASSM
3	-	2	LS80771	CBR4SC-RAIL WITHOUT LABEL HOLE ASSM
4		3	LS80765	MS CBR4SC-WHEEL SUPPORT ASSM HIGH
5	-	2	LS84396	FLAT BAR 30*8mm MS CBR6SC BASE RAIL
6	-	8	LS28044	DYNABOLT 12mm (M10) x 60mm ZP (DP12060) NOMINAL HOLE DEPTH -50mm
7	-	18	LS28200	SCREW SOCKET C/S M12 x 20 SS304



MATERIAL DESCRIPTION:			
-			
FINISH:		WEIGHT: kg	
-			
SCALE: 1:15 AT A3		SW FILE: LS84395-CBR6SC-FULLY ASSM	
LINEAL TOLERANCES		ANGULAR TOLERANCES	
1.0 to 250 ± 0.2	250 to 500 ± 0.5	500 to 1000 ± 1.0	1000 to 5000 ± 2.5
		± 0.5°	
THIRD ANGLE PROJECTION			



HEAD OFFICE: 18 Reliance Drive, Tuggerah NSW 2258
 Phone +61 2 4353 3377 - Fax +61 2 4353 2255 - Email lvsales@l-v.com.au
 © COPYRIGHT 2015 - ALL INTELLECTUAL PROPERTY RIGHTS RESERVED

ISSUED FOR: -		DRAWN BY: LIBO	
JOB No.:	CLIENT/SITE:	APPROVED BY: -	
-	-		
MODEL DESCRIPTION: CBR6SC ASSM			
ITEM: LS84395	REV: D1 INDEX: -	DRAWING DATE: 2016/7/27	SHEET: 1 OF 1