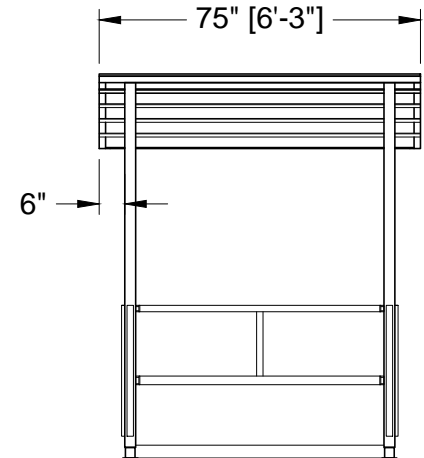
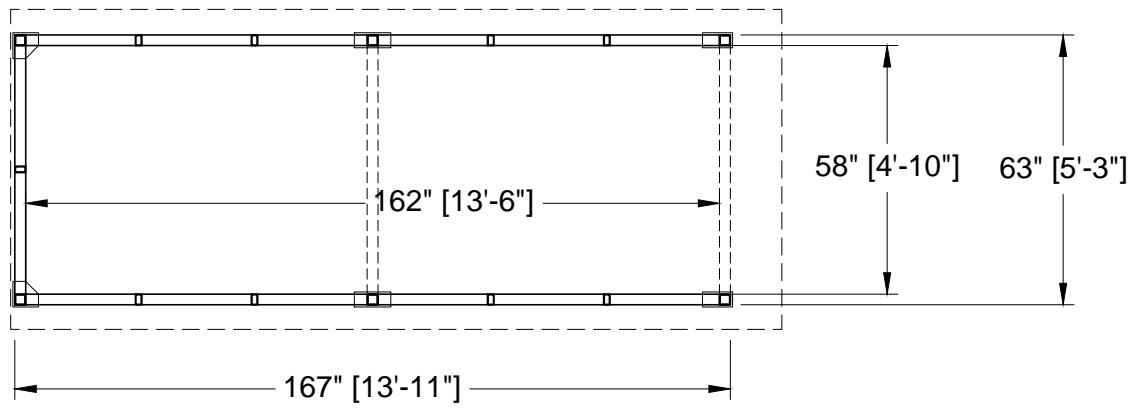


SIDE ELEVATION



FRONT ELEVATION



PLAN VIEW

NOTES (INITIAL APPROVAL WHERE INDICATED):

- FINISH IS DARK BRONZE ANODIZED
- ROOF IS SINGLE SLOPE WITH 6mm P.C.S.S. GLAZING _____

SEE QUOTE FOR OPTIONS

DESIGN IS PRELIMINARY, AND INTENDED TO COMPLY WITH SPECIFICATIONS IN ALL ASPECTS, AND PENDING CUSTOMER APPROVAL. ANY SIGNIFICANT DEVIATION FROM SPECIFICATIONS IS UNINTENTIONAL AND MAY BE DISREGARDED: PLEASE CONSULT THE FACTORY.

REVISIONS		
0-0-00	A:	BDI

Duo-Gard Industries, Inc.
Tel (734) 207-9700 Fax (734) 207-7995
www.duo-gard.com

THIS DRAWING IS PROPRIETARY AND FOR THE SOLE USE OF OUR CUSTOMER AND MAY NOT BE COPIED OR REPRODUCED WITHOUT PRIOR WRITTEN CONSENT FROM DUO-GARD INDUSTRIES, INC.
LEAD TIME BEGINS UPON RECEIPT OF SIGNED SHOP DRAWINGS

APPROVAL SIGNATURE _____ DATE _____

X _____ / /

PROJECT NAME											
WOODWARD - DOUBLE WIDE - CUSTOMER SAMPLE											
DESCRIPTION											
5' X 14' SINGLE SLOPE (FRONT TO BACK) CART CORRAL - PLAN & ELEVATION VIEWS											
PRJT ENG	PRJT MGR	DRFTR	DWG DATE	REV1	REV2	SCALE	PAGE	OF	DRWNG #		
--	--	GS	3.5.19			1/4" = 1'-0"	1	1	00000		