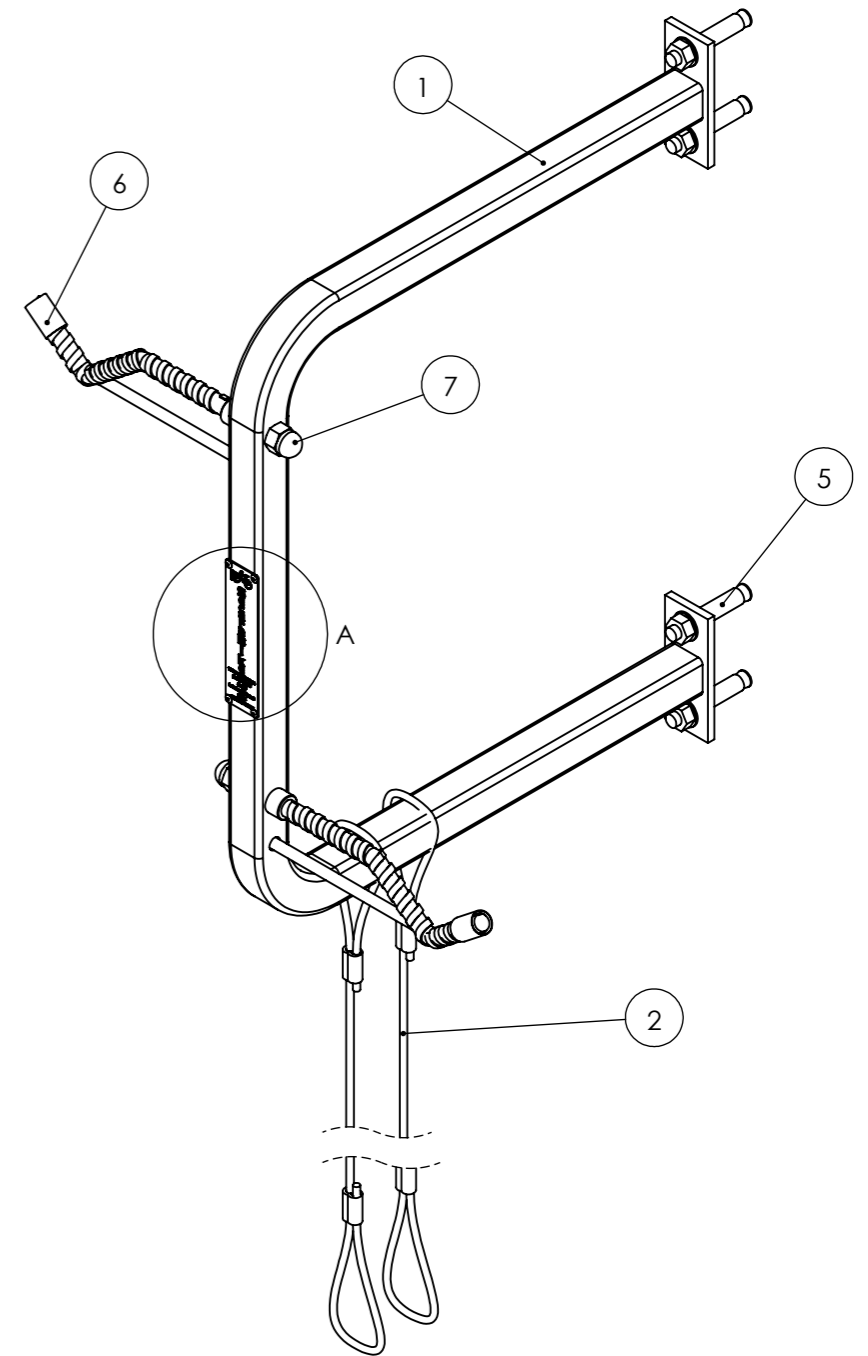


局部视图 A
比例 1 : 1.5

BILL OF MATERIALS						
ITEM NO.	QTY.	ITEM	DESCRIPTION	LENGTH	WIDTH	
1	1	LS80089	MS BR542 MAIN TUBE ASSM			
2	2	LS80092	ROPE BR542 ROPE ASSM			
3	1	LS28133	Aluminium sheet Secura bike Aluminium label(straight)	-	-	
4	4	LS28285	ALUMINIUM SHELL 2.4 x 6 RIVET DOMED SS3-2 DIA 2.4mm FOR 1.6-3.2mm MATERIAL	-	-	
5	4	LS28044	DYNABOLT 12mm (M10) x 60mm ZP (DP12060) NOMINAL HOLE DEPTH -50mm	-	-	
6	2	LS80095	VARIOUS BR542 HOOK ASSM			
7	2	LS28026	Domed Nut M12	Hex	-	-



MATERIAL DESCRIPTION: MS				
FINISH: POWDERCOATED OR GALVANIZED			WEIGHT: kg	
SCALE: 1:10 AT A3		SW FILE: BR542		
LINEAL TOLERANCES		ANGULAR TOLERANCES		
1.0 to 250 ± 0.2	250 to 500 ± 0.5	500 to 1000 ± 1.0	1000 to 5000 ± 2.5	± 0.5°
THIRD ANGLE PROJECTION				



HEAD OFFICE: 18 Reliance Drive, Tuggerah NSW 2258
Phone +61 2 4353 3377 - Fax +61 2 4353 2255 - Email lvsales@l-v.com.au
© COPYRIGHT 2011 - ALL INTELLECTUAL PROPERTY RIGHTS RESERVED

ISSUED FOR: MANUFACTURE		DRAWN BY: HUI CHEN	
JOB No. -	CLIENT: -	APPROVED BY: -	
MODEL DESCRIPTION: BR542 ASSM		EFFECTIVE DATE: -	
ITEM: LS80093	INDEX: -	REV: D3	DRAWING DATE: 2016/8/4
		SHEET: 1 OF 1	