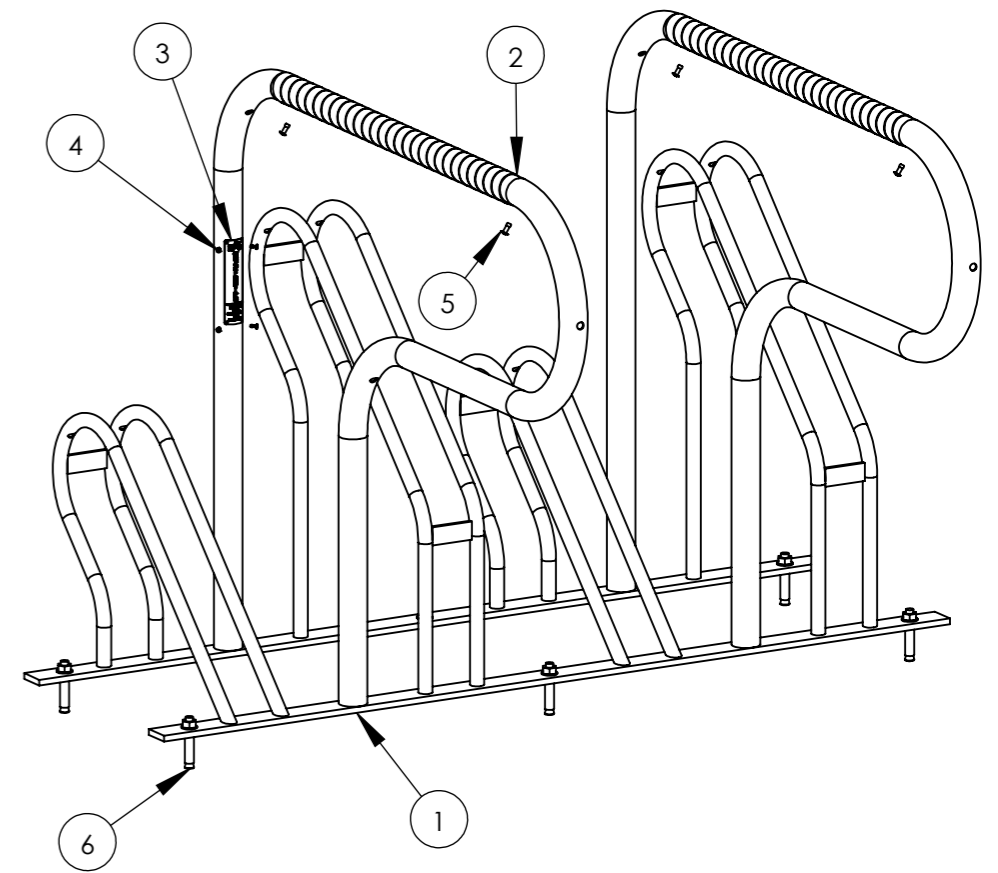


BILL OF MATERIALS					
ITEM NO.	QTY.	ITEM	DESCRIPTION	LENGTH	WIDTH
1	1	LS80944	MS CBR4SCTM - FULLY WELDMENT		
2	2	LS28121	PVC Ø38 SPIRAL PIPE	600	-
3	1	LS28134	Aluminium sheet Secura bike aluminium label(bending)	-	-
4	4	LS28285	Aluminium RIVET Ø2.4*6mm	-	-
5	4	LS28286	SS304 RIVET 4.8*10	-	-
6	6	LS28044	DYNABOLT 12mm (M10) x 60mm ZP (DP12060) NOMINAL HOLE DEPTH -50mm	-	-



MATERIAL DESCRIPTION:				
-				
FINISH:			WEIGHT: kg	
-				
SCALE: 1:10 AT A3		SW FILE: LS80942-CBR4SCTM-FULLY ASSM		
LINEAL TOLERANCES		ANGULAR TOLERANCES		
1.0 to 250 ± 0.2	250 to 500 ± 0.5	500 to 1000 ± 1.0	1000 to 5000 ± 2.5	± 0.5°
 THIRD ANGLE PROJECTION				



HEAD OFFICE: 18 Reliance Drive, Tuggerah NSW 2258
 Phone +61 2 4353 3377 - Fax +61 2 4353 2255 - Email lvsales@l-v.com.au
 © COPYRIGHT 2015 - ALL INTELLECTUAL PROPERTY RIGHTS RESERVED

ISSUED FOR: -		DRAWN BY: LIBO	
JOB No. -	CLIENT/SITE: -	APPROVED BY: -	
MODEL DESCRIPTION: CBR4SCTM FULLY ASSM			
ITEM: LS80942	REV: D1 INDEX: -	DRAWING DATE: 2016/6/15	SHEET: 1 OF 1