

Submittal Sheet

Product Code: BR85F

Description: Architectural Bike Rail

Technical Specification: 40NB (50.5mm / 1 63/64") x 1.5mm 1/16" light duty pipe
40NB (50.5mm / 1 63/64") x 1.5mm 1/16" stainless steel pipe

Box Dimensions & Weight 37 x 15 x 37
16LBS

Date: _____
Project Name: _____
Construction Company: _____
Architect or Engineer: _____
Submitted By: _____
Approved By: _____

Common Applications: Residential apartments, Recreation centers, Secondary schools, colleges and universities, Workplaces, Retail shopping

Bicycle Capacity: 2

Materials: BR85F Mild Steel
SBR85F Stainless Steel

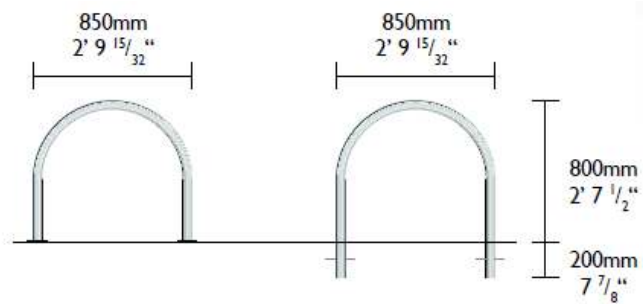


Finishes:

- Galvanized (standard)
- Powder Coat
- Stainless Steel

Mounting Options:

- In Ground
- Surface
- Rail



Set Out:

Manufacturer Documentation Required:

- All
- Assembly Drawing (DWG)
- Assembly Drawing (PDF)
- Revit File
- Set out Drawing (PDF)
- Installation Manual
- Instruction Manual

Relevant Guidelines: Bicycle Parking guidelines 2nd edition www.apbp.org