



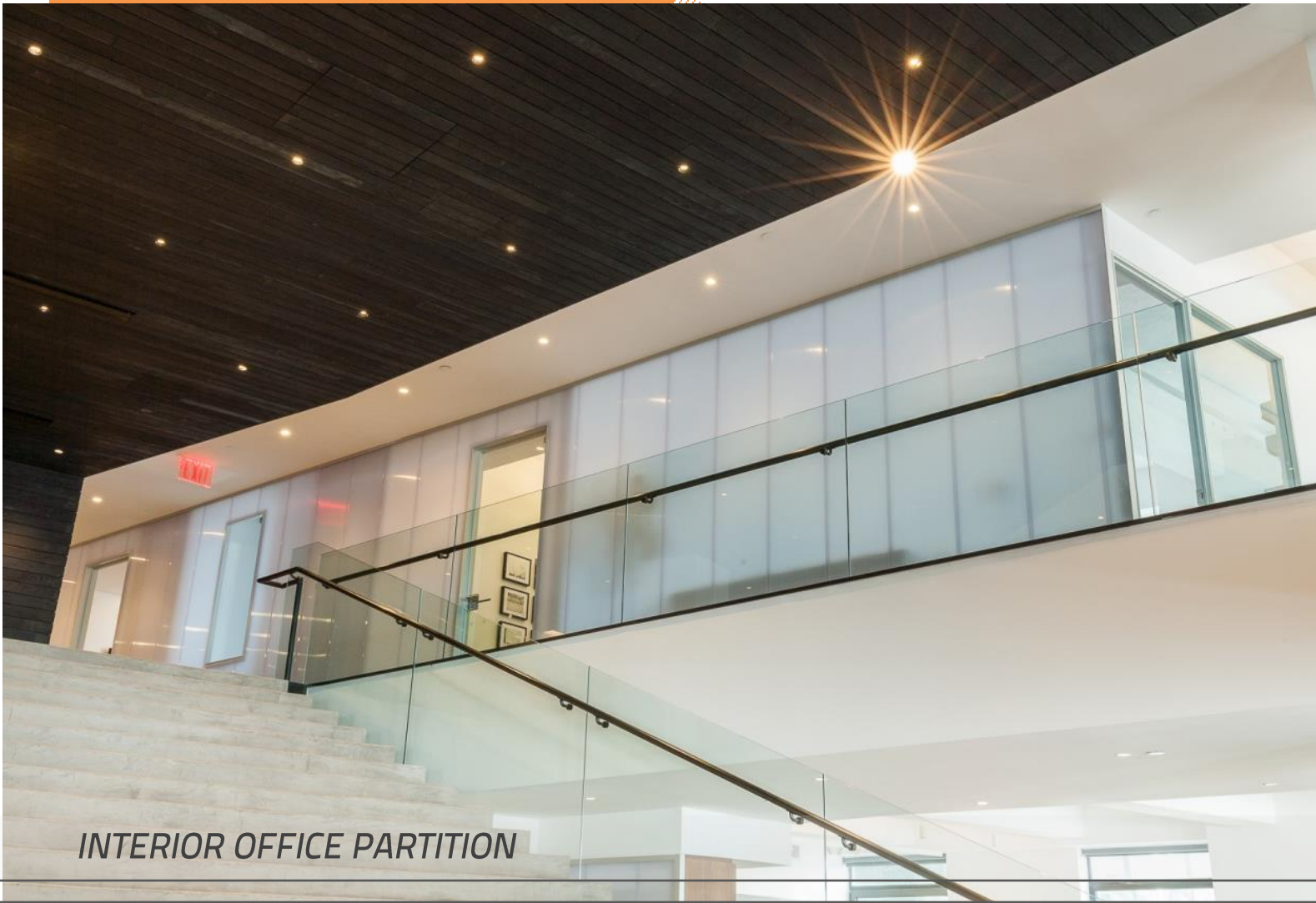
DUO-GARD

TOGETHER BY DESIGN.™

ILLUMAWALL 1500 *INTERIOR WALLS*



ILLUMAWALL 1500



INTERIOR OFFICE PARTITION

DESCRIPTION:

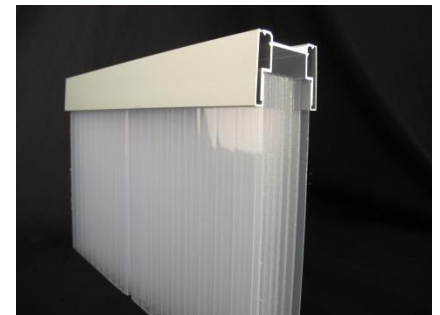
illumaWall 1500 wall system is ideal for continuous vertical applications. Panels provide a clean aesthetic appearance which also allows daylight to flow deeper into spaces. Our walls are to 39' high and unlimited lengths. illumaWall 1500 is available in 40mm thickness.

FRAME SYSTEM :

Duo-Gard's aluminum framing channels are available in clear anodized or painted finishes.

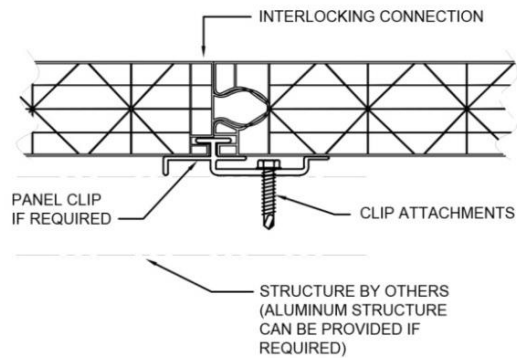
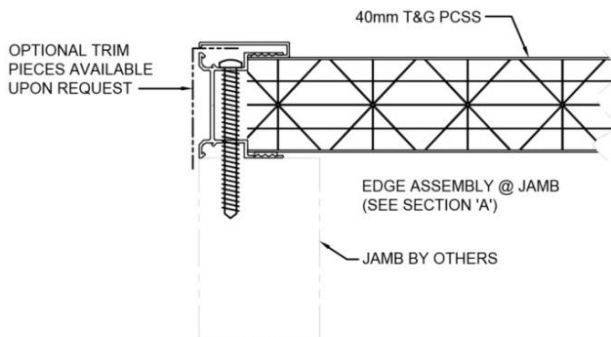
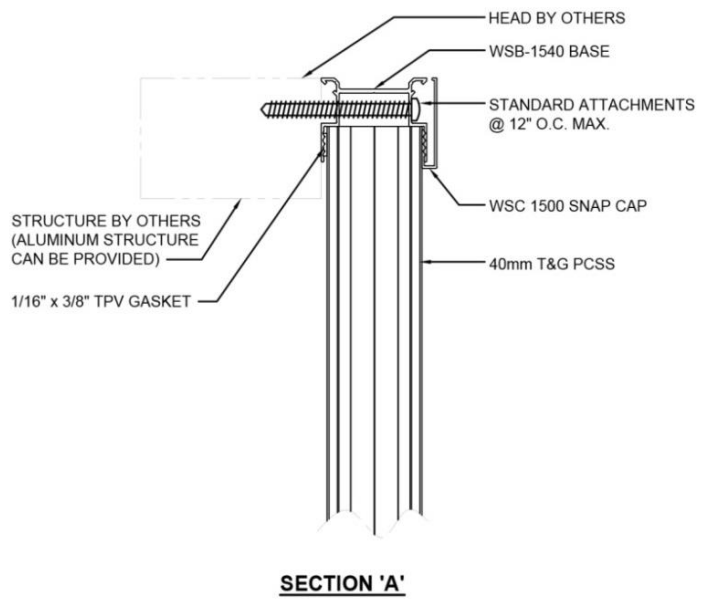
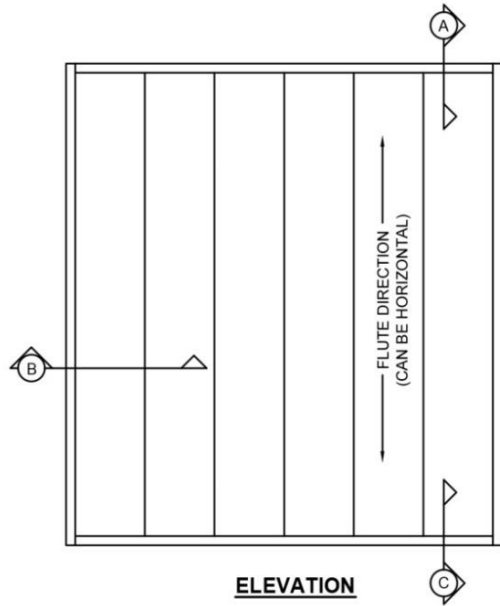
FEATURES & BENEFITS:

- Moveable walls & partitions
- No mullions
- Ideal for backlighting
- Vertical & horizontal orientation
- Diffused light transmission
- Class A fire rating
- Recycled content & recyclable
- Block sound transmission
- Panels up to 39' long
- Tongue & groove continuous glazing
- Cold form curves



- Panel thickness—40mm
- Standard size 19.68" wide
- Standard colors—clear, opal & royal blue
- Also available in orange, purple, red, yellow, grey, charcoal, olive green & sea blue (minimum quantities may apply)

illuminaWall 1500 Interior 40MM Tongue & Groove (Face Mounted)



STANDARD ATTACHMENTS:

WOOD:
#12 x 2 1/2" SHEET METAL HEAD SCREW

ALUMINUM & STEEL:
#12 x 2 1/2" SHEET METAL HEAD SCREW
(PRE-DRILLING MAY BE REQUIRED)

ALTERNATE FASTENERS MAY BE USED:
HEAD DIA. MUST NOT EXCEED 7/16"

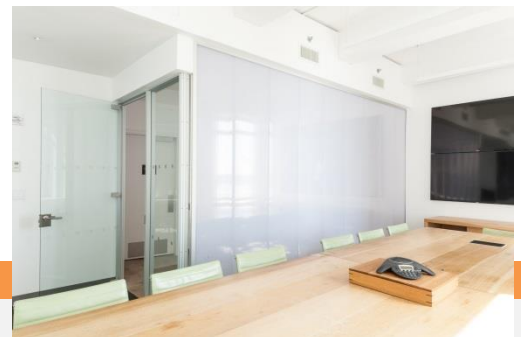
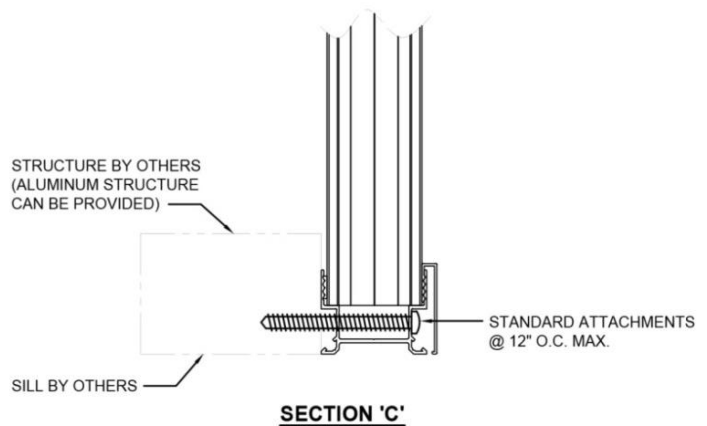
CLIP ATTACHMENTS:

ALUMINUM:
#12 x 1" HEX HEAD TEK SCREW W/ #3 TIP

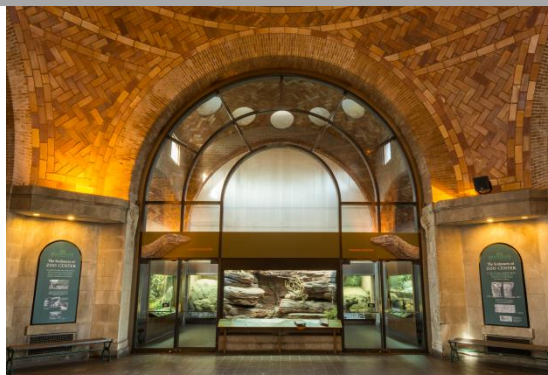
STEEL:
#12 x 2" HEX HEAD TEK SCREW W/ #5 TIP

WOOD:
1/4" x 2" LAG SCREW

NOTE:
GLAZING PANELS CAN BE RUN HORIZONTALLY

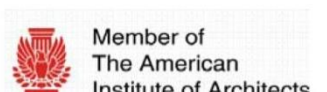


GALLERY



Forge Ahead!

Contact us at 734.207.9700. We'll consider your project parameters and make recommendations based on our years of experience. Let's make your vision a reality!



Duo-Gard Industries Inc. | 40442 Koppnick Rd. Canton MI 48187-4279
T. 734-207-9700 | F. 734-207-7995 | www.duo-gard.com