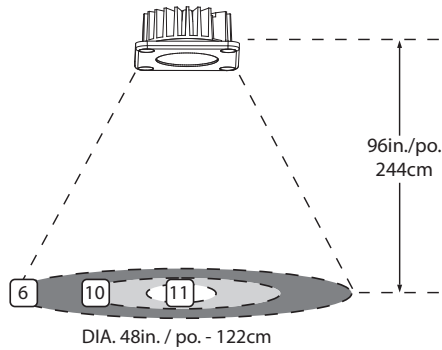


# LIGHTING

Duo-Gard's LED lighting Package integrates into the structure to create an illuminated canopy or walkway. Contact us to discuss your project.



2700K  Warm white

CL  Clear lens


BK  Black

3000K  Soft white

FR  Frosted lens

SL  Silver

4000K  Cool white

WH  White

## INSTALLATION



Recessed - In any **NON INSULATED** structure



Recommended spacing - 48in. (122cm)



Orientation - *Any direction*

